

GEHAEUSE, WASSERPUMPE  
 CRANKCASE, WATER PUMP  
 CARTER MOTORE; POMPA ACQUA

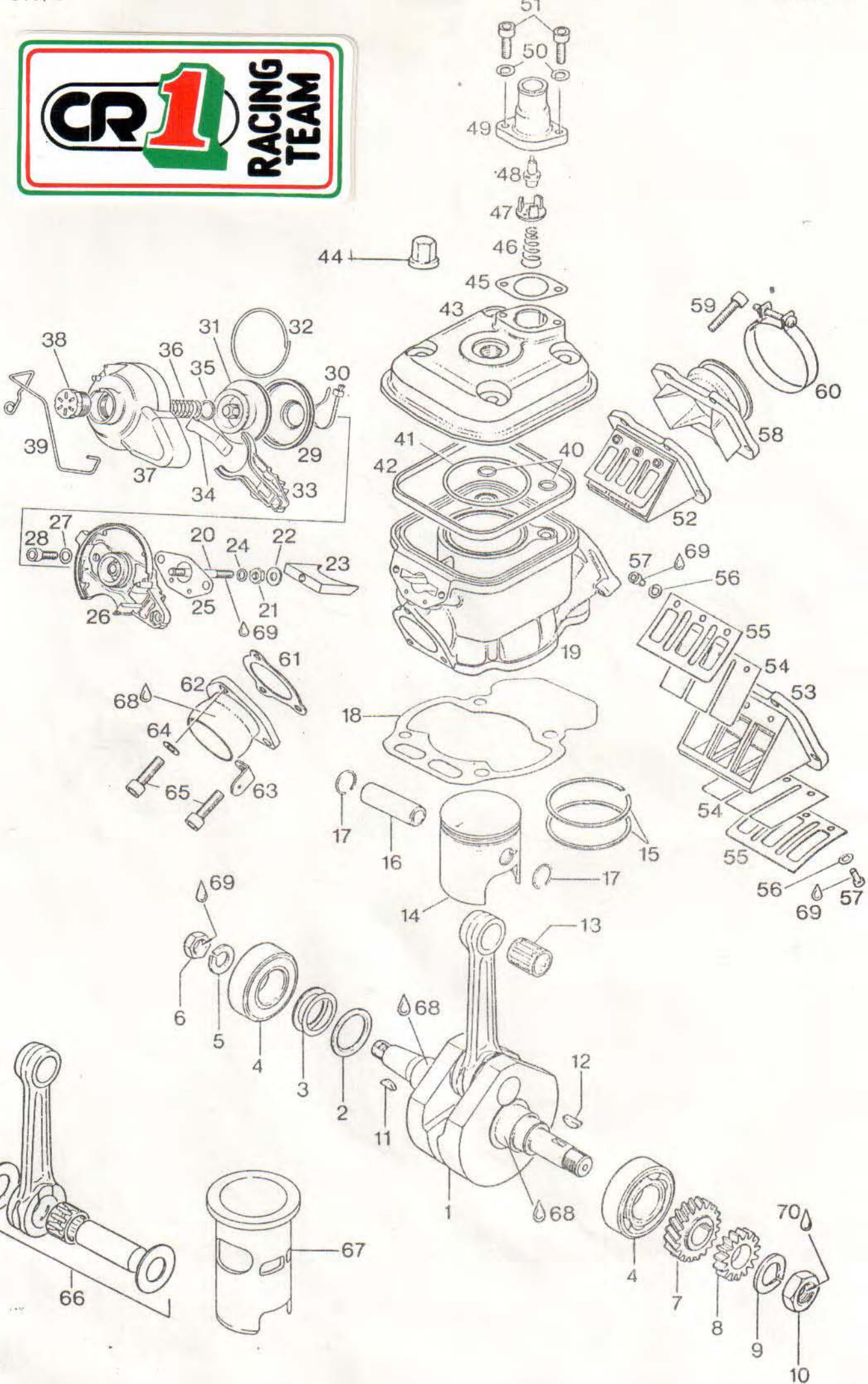
BILD-NR. ILL. NO. FIG.	TEILE-NR. PART NO. CODICE	B E Z E I C H N U N G D E S C R I P T I O N D E S C R I Z I O N E	STUECK QTY. QTA.
1 - 8	N 293 746	GEHAEUSE KPL. / CRANKCASE ASSY., COPPIA CARTER MOTORE CPL., FUER AUSFUEHRUNG KICKSTARTER FOR KICK START CONFIGURATION PER ESECUZIONE ALBERO M/M	1
1 - 8	N 293 708	GEHAEUSE KPL. / CRANKCASE ASSY., COPPIA CARTER MOTORE CPL., FUER AUSFUEHRUNG E-STARTER FOR ELECTRIC STARTER CONFIGURATION PER ESECUZIONE AVVIAMENTO ELETTRICO	1
2	960 767	GEHAEUSERING / CRANKCASE RING ANELLO TEFLON	2
3	229 140	PASSHUELSE 9,8X10 / DOWEL 9,8X10 SPINA 9,8X10	1
4	229 160	PASSHUELSE 13,8X15 / DOWEL 13,8X15 SPINA 13,8X15	1
5	232 030	NADELHUELSE 10X14X12 NEEDLE BUSHING 10X14X12 CUSCINETTO 10X14X12	1
6	232 040	NADELHUELSE 28X35X16 NEEDLE BUSHING 28X35X16 CUSCINETTO 28X35X16	1
7	233 520	LAGERBUECHSE / BUSHING / BUSSOLA	1
8	224 260	ZULAUFROHR / TUBE / TUBO	1
9	230 425	WD-RING AS 28X38X7 / OIL SEAL 28X38X7 CORTECO 28X38X7	1
10	230 395	WD-RING AS 25X40X7 / OIL SEAL 25X40X7 CORTECO 25X40X7	1
11	930 675	WD-RING AS 25X38X7 / OIL SEAL 25X38X7 CORTECO 25X38X7	1
12	932 420	RK-LAGER 6205 C3 BALL BEARING 6205 C3, 25-52-15 CUSCINETTO 6205 C3, 25-52-15	1

BILD-NR. ILL. NO. FIG.	TEILE-NR. PART NO. CODICE	B E Z E I C H N U N G D E S C R I P T I O N D E S C R I Z I O N E	STUECK QTY. QTA.
13	932 032	RK-LAGER 6203 TVH C3 BALL BEARING 6203TVH C3, 17-40-12 CUSCINETTO 6203 TVH C3, 17-40-12.....	2
14	945 751	FEDERRING A6 DIN 128 / LOCK WASHER A6 RONDELLA SPACCATA A6..... FUER AUSFUEHRUNG KICKSTARTER FOR KICK START CONFIGURATION PER ESECUZIONE ALBERO M/M	10
14	945 751	FEDERRING A6 DIN 128 / LOCK WASHER A6 RONDELLA SPACCATA A6..... FUER AUSFUEHRUNG E-STARTER FOR ELECTRIC STARTER CONFIGURATION PER ESECUZIONE AVVIAMENTO ELETTRICO	9
15	241 820	ZYL.SCHRAUBE M6X45 DIN 912 ALLEN SCREW M6X45 / BNRUGOLA 6X45..... FUER AUSFUEHRUNG KICKSTARTER FOR KICK START CONFIGURATION PER ESECUZIONE ALBERO M/M	5
15	241 820	ZYL.SCHRAUBE M6X45 DIN 912 ALLEN SCREW M6X45 / BNRUGOLA 6X45..... FUER AUSFUEHRUNG E-STARTER FOR ELECTRIC STARTER CONFIGURATION PER ESECUZIONE AVVIAMENTO ELETTRICO	4
16	241 816	ZYL.SCHRAUBE M6X40 DIN 912 ALLEN SCREW M6X40 / BRUGOLA M6X40..... FUER AUSFUEHRUNG KICKSTARTER FOR KICK START CONFIGURATION PER ESECUZIONE ALBERO M/M	5
16	241 816	ZYL.SCHRAUBE M6X40 DIN 912 ALLEN SCREW M6X40 / BRUGOLA M6X40..... FUER AUSFUEHRUNG E-STARTER FOR ELECTRIC STARTER CONFIGURATION PER ESECUZIONE AVVIAMENTO ELETTRICO	6
17	N 950 145	DICHTRING A8X13 DIN 7603 GASKET RING 8X13 ANELLO GUARNIZIONE 8X13.....	1
18	N 840 681	ZYL.SCHRAUBE M8X40 DIN 912 ALLEN SCREW M8X40 / BRUGOLA M8X40.....	1
19	427 235	ANLAUFSSCHEIBE 28,2/39,5/1,5 THRUST WASHER 28,2/39,5/1,5 SPESSORE 28,2/39,5/1,5.....	1
20	232 850	RK-LAGER 6203 E TVH C3 BALL BEARING 6203E TVH, 17-40-12 CUSCINETTO 6203 E TVH, 17-40-12.....	1

BILD-NR. ILL. NO. FIG.	TEILE-NR. PART NO. CODICE	B E Z E I C H N U N G D E S C R I P T I O N D E S C R I Z I O N E	STUECK QTY. QTA.
21	N 932 430	RK-LAGER 6204 TNH C3 BALL BEARING 6204 TNH, 20-47-14 CUSCINETTO 6204 TNH, 20-47-14.....	1
22	227 610	AUSGLEICHSCHLEIBE 40/46,5/0,5 SHIM 40/46,5/0,5 SPESSORE 40/46,5/0,5.....	N BED AS REQ A RICH
22	227 611	AUSGLEICHSCHLEIBE 40/46,5/0,3 SHIM 40/46,5/0,3 SPESSORE 40/46,5/0,3.....	N BED AS REQ A RICH
22	227 612	AUSGLEICHSCHLEIBE 40/46,5/0,1 SHIM 40/46,5/0,1 SPESSORE 40/46,5/0,1.....	N BED AS REQ A RICH
23	227 520	AUSGLEICHSCHLEIBE 34/39,5/0,5 SHIM 34/39,5/0,5 SPESSORE 34/39,5/0,5.....	N BED AS REQ A RICH
23	227 521	AUSGLEICHSCHLEIBE 34/39,5/0,3 SHIM 34/39,5/0,3 SPESSORE 34/39,5/0,3.....	N BED AS REQ A RICH
23	227 522	AUSGLEICHSCHLEIBE 34/39,5/0,1 SHIM 34/39,5/0,1 SPESSORE 34/39,5/0,1.....	N BED AS REQ A RICH
24	N 227 110	HALTEBLECH / RETAINING PLATE PIASTRA FISSAGGIO CUSCINETTI.....	1
25	940 315	SENKSCHRAUBE M5X12 DIN 963 COUNTERSUNK SCREW M5X12 / VITE M5X12..... ANZUGSDREHMOMENT 5 NM TIGHTENING TORQUE 5 NM COPPIA DI SERRAGGIO 5 NM	5
26	241 777	AUSRUECKSCHRAUBE M12 / HEX. SCREW M12 VITE M12..... FUER AUSFUEHRUNG KICKSTARTER, ANZUGSDREHMOMENT 75 NM FOR KICK START CONFIGURATION, TIGHTENING TORQUE 75 NM PER ESECUZIONE ALBERO M/M, COPPIA DI SERRAGGIO 75 NM	1
27	N 250 641	DICHTRING A12X18 DIN 7603 GASKET RING A12X18 ANELLO GUARNIZIONE A12X18..... FUER AUSFUEHRUNG E-STARTER FOR ELECTRIC STARTER CONFIGURATION PER ESECUZIONE AVVIAMENTO ELETTRICO	1

BILD-NR. ILL. NO. FIG.	TEILE-NR. PART NO. CODICE	B E Z E I C H N U N G D E S C R I P T I O N D E S C R I Z I O N E	STUECK QTY. QTA.
28	N 241 401	SK-SCHRAUBE M12X12 / HEX.SCREW M12X12 VITE ESAGONALE M12X12..... FUER AUSFUEHRUNG E-STARTER FOR ELECTRIC STARTER CONFIGURATION PER ESECUZIONE AVVIAMENTO ELETTRICO	1
29	241 781	MAGNETSCHRAUBE M12X1,5 MAGNETIC DRAIN PLUG M12X1,5 VITE MAGNETICA M12X1,5.....	1
30	950 141	DICHTRING C8X14 DIN 7603 GASKET RING C8X14 RONDELLA GUARNIZIONE C8X14.....	2
31	940 581	SK-SCHRAUBE M8X16 DIN 933 HEX.SCREW M8X16 / VITE ESAGONALE M8X16...	2
32	241 925	ENTLUEFTERSCHRAUBE M18X1,5 AIR VENT SCREW M18X1,5 TAPPO SFIATO M18X1,5.....	1
33	941 386	DEHNSCHRAUBE M8X147,5 / STUD M8X147,5 PRIGIONIERO M8X147,5..... ANZUGSDREHMOMENT 6 NM TIGHTENING TORQUE 6 NM COPPIA DI SERRAGGIO 6 NM	4
34	241 850	KONTAKTSCHRAUBE M10 KPL. CONTACT SCREW M10 ASSY., VITE CONTATTO M10 CPL.,.....	1
35	229 140	PASSHUELSE 9,8X10 / DOWEL 9,8X10 SPINA 9,8X10.....	2
36 - 45	293 410	WASSERPUMPE KPL. / WATER PUMP ASSY., POMPA ACQUA CPL.,.....	1
36	222 041	WASSERPUMPENGEHAEUSE / WATER PUMP HOUSING CORPO POMPA ACQUA.....	1
37	237 686	PUMPENWELLE / PUMP SHAFT / ALBERO POMPA..	1
38	932 770	RK-LAGER 608 / BALL BEARING 608, 8-22-7 CUSCINETTO A SFERE 608, 8-22-7.....	1
39	245 570	SICHERUNGSRING 8X0,8 DIN 471 LOCKING RING 8X0,8 / SEEGER 8X0,8.....	1
40	230 195	WD-RING A 10X26X7 / OIL SEAL 10X26X7 CORTECO 10X26X7.....	2
41	245 555	SEEGER-V-RING JV 26X1,2 / SNAPRING 26X1,2 SEEGER 26X1,2.....	1

BILD-NR. ILL. NO. FIG.	TEILE-NR. PART NO. CODICE	B E Z E I C H N U N G D E S C R I P T I O N D E S C R I Z I O N E	STUECK QTY. QTA.
42	227 570	SCHEIBE 7,4 DIN 125 / WASHER 7,4 RONDELLA 7,4.....	1
43	222 055	LAUFRAD / IMPELLER / GIRANTE.....	1
44	927 946	SCHEIBE 6,2/12/1 / WASHER 6,2/12/1 RONDELLA 6,2/12/1.....	1
45	842 042	SICHERUNGSMUTTER N M6 DIN 980 LOCK NUT M6 / DADO M6..... ANZUGSDREHMOMENT 10 NM TIGHTENING TORQUE 10 NM COPPIA DI SERRAGGIO 10 NM	1
46	230 970	DICHTUNG / GASKET / GUARNIZIONE.....	1
47	945 751	FEDERRING A6 DIN 128 / LOCK WASHER A6 RONDELLA SPACCATA A6.....	3
48	840 390	ZYL.SCHRAUBE M6X14 DIN 912 ALLEN SCREW M6X14 / BRUGOLA M6X14.....	3
49	232 220	NADELROLLE A3X13,8 G5 DIN 5402 NEEDLE PIN 3X13,8 / RULLO 3X13,8.....	1
50	235 875	PUMPENRAD 28 Z / PUMP GEAR 28 T. INGRANAGGIO POMPA 28 D.....	1
51	247 550	BUNDBUECHSE / SLEEVE / BUSSOLA.....	1
52	944 460	AUSGLEICHSCHEIBE 20,5/30/0,2 SHIM 20,5/30/0,2 SPESSORE 20,5/30/0,2.....	N BED AS REQ A RICH
53	897 161	MOLYKOTE 111 MOLYKOTE 111, 100 G. MOLYKOTE 111, 100 G..... SILIKONFETT, 100 G. SILICONE GREASE GRASSO SILICONE	N BED AS REQ A RICH
54	899 784	LOCTITE 574 LOCTITE 574 ORANGE 50 CC., LOCTITE 574 ARANCIO 50 CC..... FLAECHENDICHTMITTEL, 50 CCM SEALING COMPOUND PASTA GUARNIZIONE	N BED AS REQ A RICH
55	899 788	LOCTITE 648 GRUEN LOCTITE 648 GREEN 6 CC., LOCTITE 648 VERDE, 6 CC. FLACONE..... SCHRAUBENSICHERUNG STARK, 6 CCM HIGH STRENGTH BOND PASTA FISSAGGIO VITI, FORTE	N BED AS REQ A RICH





KURBELWELLE, KOLBEN, ZYLINDER, ZYLINDERKOPF  
 CRANKSHAFT, PISTON, CYLINDER, CYLINDER HEAD  
 ALBERO MOTORE, PISTONE, CILINDRO, TESTA CILINDRO

BILD-NR. ILL. NO. FIG.	TEILE-NR. PART NO. CODICE	B E Z E I C H N U N G D E S C R I P T I O N D E S C R I Z I O N E	STUECK QTY. QTA.
1	293 305	KURBELWELLE KPL. / CRANKSHAFT ASSY. ALBERO MOTORE CPL..... MIT PLEUELZAPFEN 20 DURCH WITH CON ROD PIN 20 DIA CON ASSE ACCOPPIAMENTO 22 MM	1
2	827 410	RADIUSSCHEIBE 30,8/39,5/1 DISTANCE RING 30,8/39,5/1 Distanziale 30,8/39,5/1.....	1
3	944 582	AUSGLEICHSCHEIBE 30,4/40,5/0,3 SHIM 30,4/40,5/0,3 SPESSORE 30,4/40,5/0,3.....	N BED AS REQ A RICH
3	944 583	AUSGLEICHSCHEIBE 30,4/40,5/0,1 SHIM 30,4/40,5/0,1 SPESSORE 30,4/40,5/0,1.....	N BED AS REQ A RICH
3	944 584	AUSGLEICHSCHEIBE 30,4/40,5/0,5 SHIM 30,4/40,5/0,5 SPESSORE 30,4/40,5/0,5.....	N BED AS REQ A RICH
3	944 586	AUSGLEICHSCHEIBE 30,4/40,5/0,2 SHIM 30,4/40,5/0,2 SPESSORE 30,4/40,5/0,2.....	N BED AS REQ A RICH
4	932 583	RK-LAGER 6206 TNH C4 BALL BEARING 6206TNH C4,30-62-16 CUSCINETTO 6206 TNH C4,30-62-16..... 30-62-16, FUER KURBELWELLE, FOR CRANKSHAFT, PER ALBERO MOTORE,	2
5	945 754	FEDERRING A12 DIN 128 / LOCK WASHER A12 RONDELLA SPACCATA A12.....	1
6	642 051	SK-MUTTER M12X1 HOEHE 6 / HEX. NUT M12X1 DADO M12X1..... ANZUGSDREHMOMENT 70 NM TIGHTENING TORQUE 70 NM COPPIA DI SERRAGGIO 70 NM	1

BILD-NR. ILL. NO. FIG.	TEILE-NR. PART NO. CODICE	B E Z E I C H N U N G D E S C R I P T I O N D E S C R I Z I O N E	STUECK QTY. QTA.
7	292 975	PRIMAERTRIEB KPL. / PRIMARY DRIVE ASSY. TRASMISSIONE PRIMARIA CPL..... NUR ANTRIEBSRAD UND KUPPLUNGSKORB GEMEINSAM AUS- TAUSCHEN REPLACE ONLY DRIVE GEAR WITH CLUTCH DRUM ASSY. CAMBIARE SOLO L'INGRANAGGIO E LA CAMPANA FRIZIONE INSIEME	1
8	235 860	PUMPENRITZEL 15 Z / PUMP GEAR 15 T. INGRANAGGIO POMPA 15 D.....	1
9	945 756	SPERRKANTRING 16 DIN 128 A LOCK WASHER A16 / RONDELLA SPACCATA 16...	1
10	242 570	SK-MUTTER BM16X1,5 DIN 439 HEX. NUT M 16X1,5 / DADO M 16X1,5..... ANZUGSDREHMOMENT 70 NM TIGHTENING TORQUE 70 NM COPPIA DI SERRAGGIO 70 NM	1
11	246 050	SCHEIBENFEDER 3X3,7 DIN 6888 WOODRUFF KEY 3X3,7 / LINGUETTA 3X3,7.....	1
12	246 570	SCHEIBENFEDER 4X5 DIN 6888 WOODRUFF KEY 4X5 / LINGUETTA 4X5.....	1
13	N 932 024	KOLBENBOLZENKAEFIG K 15X19X20 NEEDLE BEARING, PISTON PIN GABBIA A RULLI 15X19X20.....	1
14 - 15	293 650	KOLBEN KPL. 53,98/53,99 MM PISTON ASSY. 53,98/53,99 MM PISTONE CPL. 53,98/53,99 MM..... STANDARD, M. 2 RINGEN STANDARD, W. 2 RINGS STANDARD, CON 2 SEGMENTI	1
14 - 15	293 656	KOLBEN KPL. 54,23/54,24 MM PISTON ASSY. 54,23/54,24 MM PISTONE CPL. 54,23/54,24 MM..... 1. SCHLIFF, M. 2 RINGEN 1ST OVERSIZE, W. 2 RINGS 1A MAGGIORAZIONE, CON 2 SEGMENTI	1
14 - 15	293 657	KOLBEN KPL. 54,48/54,49 MM PISTON ASSY. 54,48/54,49 MM PISTONE CPL. 54,48/54,49 MM..... 2. SCHLIFF, M. 2 RINGEN 2ND OVERSIZE, W. 2 RINGS 2A MAGGIORAZIONE, CON 2 SEGMENTI	1

BILD-NR. ILL. NO. FIG.	TEILE-NR. PART NO. CODICE	B E Z E I C H N U N G D E S C R I P T I O N D E S C R I Z I O N E	STUECK QTY. QTA.
14 - 15	293 658	KOLBEN KPL. 54,73/54,74 MM PISTON ASSY. 54,73/54,74 MM PISTONE CPL. 54,73/54,74 MM.....	1
		3. SCHLIFF, M. 2 RINGEN 3RD OVERSIZE, W. 2 RINGS 3A MAGGIORAZIONE, CON 2 SEGMENTI	
15	215 270	R-RING 54X1X2,3 RECTANGULAR RING 54,0 MM SEGMENTO R 54,0 MM.....	2
		STANDARD STANDARD STANDARD	
15	215 271	R-RING 54,25X1X2,3 / RECT. RING 54,25 MM SEGMENTO R 54,25 MM.....	2
		1. SCHLIFF 1ST OVERSIZE 1A MAGGIORAZIONE	
15	215 272	R-RING 54,5X1X2,3 RECTANGULAR RING 54,5 MM SEGMENTO R 54,5 MM.....	2
		2. SCHLIFF 2ND OVERSIZE 2A MAGGIORAZIONE	
15	215 273	R-RING 54,75X1X2,3 RECTANGULAR RING 54,75MM SEGMENTO R 54,75MM.....	2
		3. SCHLIFF 3RD OVERSIZE 3A MAGGIORAZIONE	
16	216 130	KOLBENBOLZEN 15X10X45,6 PISTON PIN 15X10X45,6 SPINOTTO 15X10X45,6.....	1
17	945 635	NULLHAKENRING 15 / CIRCLIP 15 ANELLINO 15.....	2
18	230 223	DICHTUNG 0,5 GASKET 0,5 GUARNIZIONE 0,5.....	N BED AS REQ A RICH
18	230 222	DICHTUNG 0,3 GASKET 0,3 GUARNIZIONE 0,3.....	N BED AS REQ A RICH
19 - 38 N	293 534	ZYL. MIT AUSPUFFSCHIEBER KPL. CYLINDER WITH EXHAUST VALVE ASSY CILINDRO C.VALVOLA SCARICO CPL.,.....	1

BILD-NR. ILL. NO. FIG.	TEILE-NR. PART NO. CODICE	B E Z E I C H N U N G D E S C R I P T I O N D E S C R I Z I O N E	STUECK QTY. QTA.
19	N 223 235	ZYLINDER MIT BUECHSE CYLINDER WITH SLEEVE CILINDRO CON CAMICIA.....	1
		ROT 54,010-54,020 MM - GRUEN 54,020-54,030 MM RED 54,010-54,020 MM - GREEN 54,020-54,030 MM ROSSO 54,010-54,020 MM - VERDE 54,020-54,030 MM	
20	N 253 242	SCHIEBERSTANGE / VALVE ROD / ASTINA.....	1
21	N 242 210	SK-MUTTER M6 DIN 934 / HEX. NUT M6 DADO M6.....	1
22	N 244 211	SCHEIBE 6,4 DIN 134 / WASHER 6,4 RONDELLA 6,4.....	1
23	253 290	AUSLASSSCHIEBER 54 MM EXHAUST VALVE 54 MM VALVOLA DI SCARICO MM 54.....	1
		FUER STANDARD UND 1. SCHLIFF FOR STANDARD AND 1ST OVERSIZE PER STANDARD E 1A MAGGIORAZIONE	
23	253 292	AUSLASSSCHIEBER 54,5 MM EXHAUST VALVE 54,5 MM VALVOLA DI SCARICO MM 54,5.....	1
		FUER 2. UND 3. SCHLIFF FOR 2ND AND 3RD OVERSIZE PER 2A E 3A MAGGIORAZIONE	
24	N 230 260	O-RING 6-3 NBR 70-80 SH / O-RING 6-3 ANELLO OR 6-3.....	1
25	230 250	DICHTUNG / GASKET / GUARNIZIONE.....	1
26	N 253 360	SCHIEBERSTANGENFUEHRUNG VALVE ROD HOUSING / CORPA GUIDA VALVOLA..	1
27	N 845 020	FEDERSCHEIBE B6 DIN 137 SPRING WASHER B6 / RONDELLA ELASTICA.....	2
28	N 241 231	ZYL.SCHRAUBE M6X16 DIN 6912 ALLEN SCREW M6X16 / BRUGOLA M6X16.....	2
29	N 260 725	SCHIEBERBALG / BELLOWS / SOFFIETTO.....	1
30	866 710	KABELBINDER 20 MM / CLAMP 20 MM FASCETTA 20 MM.....	1
31	N 253 255	SCHIEBERKOLBEN / EXHAUST VALVE VALVOLA DI SCARICO.....	1
32	N 245 640	DRAHTSPRENGRING 53,4X2 / CIRCLIP 53,4X2 ANELLINO 53,4X2.....	1

BILD-NR. ILL. NO. FIG.	TEILE-NR. PART NO. CODICE	B E Z E I C H N U N G D E S C R I P T I O N D E S C R I Z I O N E	STUECK QTY. QTA.
33	N 248 240	SCHIEBERHEBEL / VALVE LEVER LEVA VALVOLA.....	1
34	N 239 990	BLATTFEDER / SPRING / MOLLA.....	1
35	247 580	DISTANZRING 12,1/14,7/2 DISTANCE RING 12,1/14,7/2 SPESSORE 12,1/14,7/2.....	N BED AS REQ A RICH
36	N 239 942	DRUCKFEDER DM13,2 DO,8 L42,5 COMPRESSION SPRING 42,5 MM MOLLA 42,5 MM.....	1
37	N 210 330	SCHIEBERABDECKUNG / VALVE COVER COPERCHIO VALVOLA.....	1
38	N 241 220	EINSTELLSCHRAUBE / ADJUSTMENT SCREW VITE.....	1
39	N 239 030	FEDERBUEGEL / SPRING CLIP MOLLA CHIUSURA.....	1
40	230 260	O-RING 6-3 NBR 70-80 SH / O-RING 6-3 ANELLO OR 6-3.....	2
41	250 160	O-RING 64-2 FPM 70-80 SH / O-RING 64-2 ANELLO OR 64-2.....	1
42	230 960	SCHLAUCHRING 122X2,5X5 SEALING RING 122X2,5X5 GUARNIZIONE 122X2,5X5.....	1
43	223 047	ZYLINDERKOPF / CYLINDER HEAD TESTA CILINDRO.....	1
44	842 471	BUNDHUTMUTTER M8 / CAP NUT M8 DADO CIECO M8..... ANZUGSDREHMOMENT 24 NM TIGHTENING TORQUE 24 NM COPPIA DI SERRAGGIO 24 NM	4
45	250 020	DICHTUNG / GASKET / GUARNIZIONE.....	1
46	239 950	DRUCKFEDER / COMPRESSION SPRING / MOLLA..	1
47	222 170	VENTILTELLER / THERMOSTAT HOLDER PORTATERMOSTATO.....	1
48	222 120	THERMOSTAT / THERMOSTAT / TERMOSTATO.....	1
49	222 110	ABLAUFSTUTZEN / WATER OUTLET SOCKET ATTACCO MANICOTTO.....	1
50	945 750	FEDERRING A5 DIN 128 / LOCK WASHER A5 RONDELLA SPACCATA A5.....	2

BILD-NR. ILL. NO. FIG.	TEILE-NR. PART NO. CODICE	B E Z E I C H N U N G D E S C R I P T I O N D E S C R I Z I O N E	STUECK QTY. QTA.
51	840 516	ZYL.SCHRAUBE M5X18 DIN 912 ALLEN SCREW M5X18 / BRUGOLA M5X18..... ANZUGSDREHMOMENT 3 NM TIGHTENING TORQUE 3 NM COPPIA DI SERRAGGIO 3 NM	2
52	224 (385) 387	VENTILTRAEGER KPL. / REED VALVE ASSY. PORTA VALVOLA CPL.....	1
53		• • ..... 1 VENTILTRAEGER, NICHT ALS ERSATZTEIL LIEFERBAR, VERWENDE VENTILTRAEGER KPL. 224 385 , REED VALVE, NOT AVAILABLE AS SPARE PART, USE REED VALVE ASSY. 224 385 , PORTA VALVOLA, NON DISPONIBILE COME RICAMBIO, ORDINARE PORTA VALVOLA CPL. 224 385 ,	
54	224 430	BLATTVENTIL / REED PETAL VALVOLA A LAMELLE.....	2
55		• • ..... 2 VENTILANSCHLAG, NICHT ALS ERSATZTEIL LIEFERBAR, VERWENDE VENTILTRAEGER KPL. 224 385 , REED PEDAL STOP, NOT AVAILABLE AS SPARE PART, USE REED VALVE ASSY. 224 385 , ARRESTO VALVOLA, NON DISPONIBILE COME RICAMBIO, ORDINARE PORTA VALVOLA CPL. 224 385 ,	
56	945 758	FEDERRING A4 DIN 128 / LOCK WASHER A4 RONDELLA SPACCATA A4.....	6
57	940 235	ZYL.SCHRAUBE M4X8 DIN 84 SLOTTED HEAD SCREW M4X8 / VITE TONDA M4X8	6
58	267 912	VERGASERSTUTZEN 36 MM CARBURETOR FLANGE 36 MM FLANGIA CARBURATORE MM 36.....	1
59	840 861	ZYL.SCHRAUBE M6X25 DIN 912 ALLEN SCREW M6X25 / BRUGOLA M6X25.....	5
60	251 850	SCHLAUCHSCHELLE 51 / HOSE CLAMP 51 FASCETTA 51.....	1
61	230 930	DICHTUNG / GASKET / GUARNIZIONE.....	1
62	273 880	AUSPUFFSTUTZEN KPL. EXHAUST SOCKET ASSY., FLANGIA SCARICO CPL.,.....	1

BILD-NR. ILL. NO. FIG.	TEILE-NR. PART NO. CODICE	B E Z E I C H N U N G D E S C R I P T I O N D E S C R I Z I O N E	STUECK QTY. QTA.
63	224 250	FEDEREINHAENGUNG / SPRING BRACKET COPRIGIUNTO.....	2
64	927 946	SCHEIBE 6,2/12/1 / WASHER 6,2/12/1 RONDELLA 6,2/12/1.....	1
65	840 401	ZYL.SCHRAUBE M6X22 DIN 912 ALLEN SCREW M6X22 / BRUGOLA M6X22.....	3
66	293 309	KURBELWELLENSATZ / CRANKSHAFT REPAIR KIT GRUPPO BIELLA..... MIT PLEUELZAPFEN 20 MM WITH CON ROD PIN 20 MM CON ASSE ACCOPPIAMENTO DIAM.20 MM	1
67	223 155	ZYLINDERBUECHSE / CYLINDER SLEEVE CAMICIA CILINDRO.....	1
68	297 431	LOCTITE ANTI-SEIZE 76710 LOCTITE ANTI-SEIZE 10 G. LOCTITE ANTI-SEIZE 10 G..... ZUR VERHINDERUNG VON PASSUNGSROST, 10 G. TO PREVENT METAL GALLING PER EVITARE CORROSIONE	N BED AS REQ A RICH
69	899 788	LOCTITE 648 GRUEN LOCTITE 648 GREEN 6 CC., LOCTITE 648 VERDE, 6 CC. FLACONE..... SCHRAUBENSICHERUNG STARK, 6 CCM HIGH STRENGTH BOND PASTA FISSAGGIO VITI, FORTE	N BED AS REQ A RICH
70	899 785	SCHRAUBENSICHERUNG NIEDRIGFEST LOCTITE 221 VIOLET 10 CC., LOCTITE 221 VIOLETTO, 10 CC.FLAC..... LOCTITE 221, 10 CCM LOW STRENGTH BOND PASTA FISSAGGIO VITI, DEBOLE	N BED AS REQ A RICH

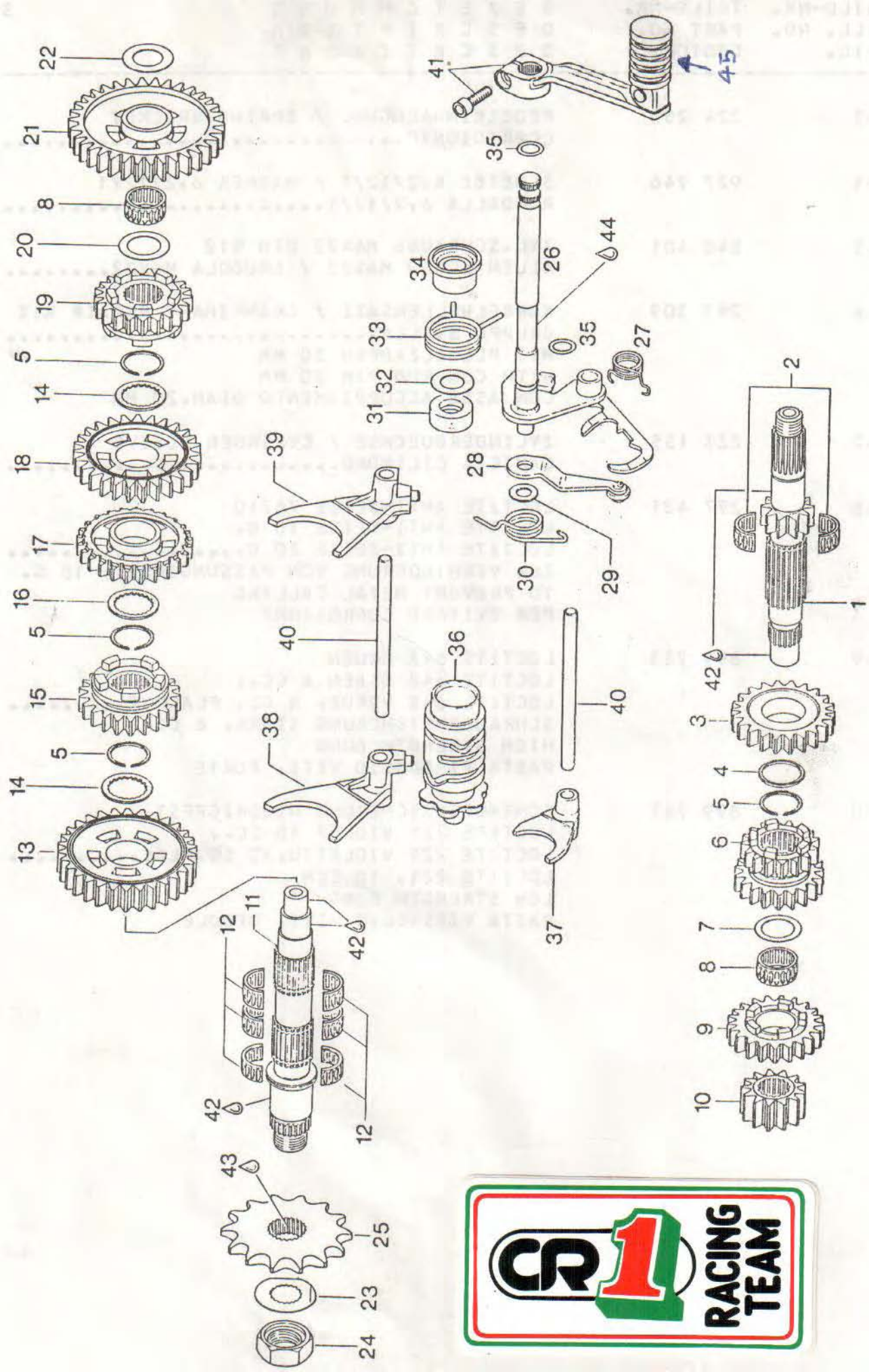
internet <http://www.CR1.it>  
E-Mail: [cr1firenze@fiscali.it](mailto:cr1firenze@fiscali.it)



**CENTRO RICAMBI** SRL

VIA CIMABUE, 24/A  
50121 FIRENZE (ITALY)  
TEL. 055 66 64 23  
FAX 055 67 00 84  
P. IVA 01548680485

CONCESSIONARIA MOTO E RICAMBI





6-GANG GETRIEBE  
6-SPEED TRANSMISSION  
TRASMISSIONE 6. VELOCITA

BILD-NR. ILL. NO. FIG.	TEILE-NR. PART NO. CODICE	B E Z E I C H N U N G D E S C R I P T I O N D E S C R I Z I O N E	STUECK QTY. QTA.
1 - 24	281 011	GETRIEBESATZ 127 END PROD.86 TRANSMISSION SET, 6 G. CAMBIO CPL., 6 MARCE.....	1
1 N	237 409	VORGELEGEWELLE 10 Z / CLUTCH SHAFT 10 T. ALBERO PRIMARIO 10 D.....	1
2	232 665	NADELKAEFIG K 20X24X10 NEEDLE BEARING 20X24X10 GABBIA A RULLI 20X24X10.....	1
3	234 886	LOSRAD 22 Z / GEAR 22 T. INGRANAGGIO 22 D..... 6. GANG, VORGELEGEWELLE 6TH SPEED, CLUTCH SHAFT 6. VELOCITA, ALBERO PRIMARIO	1
4	227 470	ANLAUFSSCHEIBE 24,2/27,5/1,5 THRUST WASHER 24,2/27,5/1,5 RASAMENTO 24,2/27,5/1,5.....	1
5	245 340	SPRENGRING 24 / SNAPRING 24 / SEEGER 24..	4
6	235 262	SCHALTRAD 16/19 Z / GEAR 16/19 T. INGRANAGGIO 16/19 D..... 3., 4. GANG, VORGELEGEWELLE 3RD, 4TH SPEED, CLUTCH SHAFT 3., 4. VELOCITA, ALBERO PRIMARIO	1
7	227 440	ANLAUFSSCHEIBE 20,2/27,5/1 THRUST WASHER 20,2/27,5/1 RASAMENTO 20,2/27,5/1.....	1
8	232 660	NADELKAEFIG K 20X24X10 F NEEDLE BEARING 20X24X10 GABBIA A RULLI 20X24X10.....	2
9	234 866	LOSRAD 21 Z / GEAR 21 T. INGRANAGGIO 21 D..... 5. GANG, VORGELEGEWELLE 5TH SPEED, CLUTCH SHAFT 5. VELOCITA, ALBERO PRIMARIO	1
10	234 826	FESTRAD 13 Z / GEAR 13 T. INGRANAGGIO 13 D..... 2. GANG, VORGELEGEWELLE 2ND SPEED, CLUTCH SHAFT 2. VELOCITA, ALBERO PRIMARIO	1

BILD-NR. ILL. NO. FIG.	TEILE-NR. PART NO. CODICE	B E Z E I C H N U N G D E S C R I P T I O N D E S C R I Z I O N E	STUECK QTY. QTA.
11	237 890	HAUPTWELLE / MAIN SHAFT ALBERO SECONDARIO.....	1
12	232 740	NADELKAEFIG K 21X25X10 NEEDLE BEARING 21X25X10 GABBIA A RULLI 21X25X10.....	3
13	234 818	LOSRAD 30 Z / GEAR 30 T. INGRANAGGIO 30 D..... 2. GANG, HAUPTWELLE 2ND SPEED, MAINSHAFT 2. VELOCITA, ALBERO SECONDARIO	1
14	227 460	ANLAUFSCHEIBE 22/30/1,8 THRUST WASHER 22/30/1,8 RASAMENTO 22/30/1,8.....	2
15	234 878	SCHALTRAD 23 Z / GEAR 23 T. INGRANAGGIO 23 D..... 5. GANG, HAUPTWELLE 5TH SPEED, MAINSHAFT 5. VELOCITA, ALBERO SECONDARIO	1
16	227 490	WINKELRING 22/30/2,8 ANGULAR RING 22/30/2,8 ANELLO ANGOLARE 22/30/2,8.....	1
17	234 858	LOSRAD 25 Z / GEAR 25 T. INGRANAGGIO 25 D..... 4. GANG, HAUPTWELLE 4TH SPEED, MAINSHAFT 4. VELOCITA, ALBERO SECONDARIO	1
18	234 838	LOSRAD 27 Z / GEAR 27 T. INGRANAGGIO 27 D..... 3. GANG, HAUPTWELLE 3RD SPEED, MAINSHAFT 3. VELOCITA, ALBERO SECONDARIO	1
19	234 993	SCHALTRAD 21 Z / GEAR 21 T. INGRANAGGIO 21 D..... 6. GANG, HAUPTWELLE 6TH SPEED, MAINSHAFT 6. VELOCITA, ALBERO SECONDARIO	1
20	944 468	ANLAUFSCHEIBE 20,5/30/1 THRUST WASHER 20,5/30/1 RASAMENTO 20,5/30/1.....	1
21	234 808	LOSRAD 34 Z / GEAR 34 T. INGRANAGGIO 34 D..... 1. GANG, HAUPTWELLE 1ST SPEED, MAINSHAFT 1. VELOCITA, ALBERO SECONDARIO	1

BILD-NR. ILL. NO. FIG.	TEILE-NR. PART NO. CODICE	B E Z E I C H N U N G D E S C R I P T I O N D E S C R I Z I O N E	STUECK QTY. QTA.
22	227 430	ANLAUFSSCHEIBE 17,2/30/1 THRUST WASHER 17,2/30/1 RASAMENTO 17,2/30/1.....	1
23	245 390	SICHERUNGSBLECH NA24 / TAB WASHER NA24 RONDELLA SICUREZZA NA24.....	1
24	242 650	SK-MUTTER M20X1,5 HOEHE 12 HEX. NUT M20X1,5 / DADO M20X1,5..... ANZUGSDREHMOMENT 80 NM TIGHTENING TORQUE 80 NM COPPIA DI SERRAGGIO 80 NM	1
25	236 982	KETTENRAD 15 Z SPROCKET 15 T., 5/8X1/4X10,16 PIGNONE 15 D., 5/8X1/4X10,16..... DIESER TEIL IST SERIENMAESSIG EINGEBAUT THIS PART IS MOUNTED AS STANDARD QUESTA PARTE E MONTATA STANDARD	1
25	236 980	KETTENRAD 13 Z SPROCKET 13 T., 5/8X1/4X10,16 PIGNONE 13 D., 5/8X1/4X10,16.....	1
25	236 981	KETTENRAD 14 Z SPROCKET 14 T., 5/8X1/4X10,16 PIGNONE 14 D., 5/8X1/4X10,16.....	1
25	236 983	KETTENRAD 16 Z SPROCKET 16 T., 5/8X1/4X10,16 PIGNONE 16 D., 5/8X1/4X10,16.....	1
25	236 984	KETTENRAD 17 Z SPROCKET 17 T., 5/8X1/4X10,16 PIGNONE 17 D., 5/8X1/4X10,16.....	1
26	N 237 955	SCHALTWELLE MIT KLINKE KPL. SHIFT SHAFT WITH PAWL ASSY., ALBERO SELETTORE CON ARPIONISMO.....	1
27	239 830	KLINKENFEDER / SPRING / MOLLA.....	1
28	248 925	INDEXHEBEL KPL. / INDEX LEVER ASSY., LEVA INDEX CPL.,.....	1
29	827 590	ANLAUFSSCHEIBE 10,1/17/1 THRUST WASHER 10,1/17/1 RASAMENTO 10,1/17/1.....	1
30	239 820	INDEXFEDER / INDEX SPRING / MOLLA INDEX..	1
31	247 575	DISTANZHUELSE / SPACER / DISTANZIALE..... FUER AUSFUEHRUNG 'A' FOR CONFIGURATION 'A' PER ESECUZIONE 'A'	1

BILD-NR. ILL. NO. FIG.	TEILE-NR. PART NO. CODICE	B E Z E I C H N U N G D E S C R I P T I O N D E S C R I Z I O N E	STUECK QTY. QTA.
32	946 870	SCHEIBE 14,5/22,5/1 / WASHER 14,5/22,5/1 RONDELLA 14,5/22,5/1..... FUER AUSFUEHRUNG 'A' FOR CONFIGURATION 'A' PER ESECUZIONE 'A'	1
33	239 640	HAARNADELFEDER / SPRING / MOLLA.....	1
34	N 247 577	DISTANZHUELSE / SPACER / DISTANZIALE..... FUER AUSFUEHRUNG 'B' FOR CONFIGURATION 'B' PER ESECUZIONE 'B'	1
35	430 110	O-RING 10-2,7 NBR 70-80 SH O-RING 10-2,7 / ANELLO OR 10-2,7..... FUER AUSFUEHRUNG E-STARTER FOR ELECTRIC STARTER CONFIGURATION PER ESECUZIONE AVVIAMENTO ELETTRICO	2
36	258 837	SCHALTWALZE KPL. / SHIFT DRUM ASSY., DESMODROMICO CPL.,.....	1
37	258 777	SCHALTGABEL KPL. / SHIFT FORK ASSY., FORCHETTA CAMBIO CPL.,..... 5., 6. GANG 5TH, 6TH SPEED 5., 6. VELOCITA	1
38	N 258 769	SCHALTGABEL KPL. / SHIFT FORK ASSY., FORCHETTA CAMBIO CPL.,..... 2., 4. GANG 2ND, 4TH SPEED 2., 4. VELOCITA	1
39	258 757	SCHALTGABEL KPL. / SHIFT FORK ASSY., FORCHETTA CAMBIO CPL.,..... 1., 3. GANG 1ST, 3RD SPEED 1., 3. VELOCITA	1
40	258 785	SCHALTSTANGE / GUIDE PIN / ASTA FORCHETTA	2
41	N 248 220	FUSSSCHALTHEBEL KPL. / SHIFT LEVER ASSY., LEVA CAMBIO CPL.,.....	1
42	297 431	LOCTITE ANTI-SEIZE 76710 LOCTITE ANTI-SEIZE 10 G. LOCTITE ANTI-SEIZE 10 G..... ZUR VERHINDERUNG VON PASSUNGSROST, 10 G. TO PREVENT METAL GALLING PER EVITARE CORROSIONE	N BED AS REQ A RICH

BILD-NR. ILL. NO. FIG.	TEILE-NR. PART NO. CODICE	BEZEICHNUNG DESCRIPTION DESCRIZIONE	STUECK QTY. QTA.
------------------------------	---------------------------------	---	------------------------

43	899 785	SCHRAUBENSICHERUNG NIEDRIGFEST LOCTITE 221 VIOLET 10 CC., LOCTITE 221 VIOLETTO, 10 CC.FLAC..... LOCTITE 221, 10 CCM LOW STRENGTH BOND PASTA FISSAGGIO VITI, DEBOLE	N BED AS REQ A RICH
----	---------	---	---------------------------

44		• • ..... BP-ENERGREASE LS 3 BP-ENERGREASE LS 3 BP-ENERGREASE LS 3	N BED AS REQ A RICH
----	--	---	---------------------------

45	<del>260.547</del> 260.547	GOMMINO LEVA CAMBIO	1
----	-------------------------------	---------------------	---

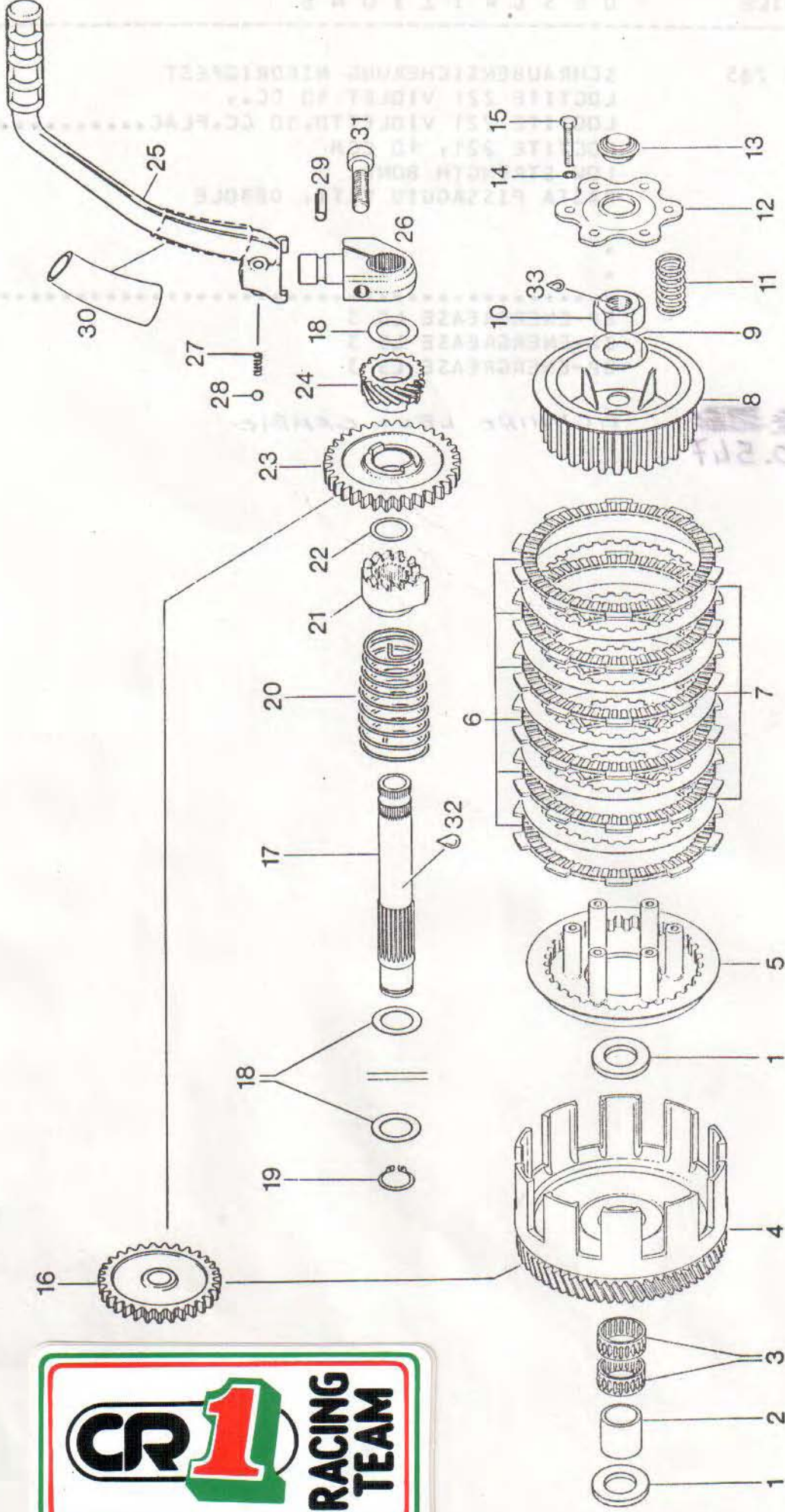


internet <http://www.CR1.it>  
E-Mail: [cr1firenze@tiscali.it](mailto:cr1firenze@tiscali.it)

**CENTRO RICAMBI** SRL

VIA CIMABUE, 24/A  
50121 FIRENZE (ITALY)  
TEL. 055 66 64 23  
FAX 055 67 00 84  
P. IVA 01548680485

CONCESSIONARIA MOTO E RICAMBI



KUPPLUNG, KICKSTARTER, DREHZAEBLERANTRIEB  
 FUER AUSFUEHRUNG KICKSTARTER  
 CLUTCH, KICK START, REVOLUTION COUNTER DRIVE  
 FOR KICK START CONFIGURATION  
 FRIZIONE, MESSA IN MOTO, COMANDO CONTAGIRI  
 PER ESECUZIONE ALBERO M/M

BILD-NR. ILL. NO. FIG.	TEILE-NR. PART NO. CODICE	B E Z E I C H N U N G D E S C R I P T I O N D E S C R I Z I O N E	STUECK QTY. QTA.
1	227 600	ANLAUFSCHEIBE 20,2/35/3 THRUST WASHER 20,2/35/3 RASAMENTO 20,2/35/3.....	2
2	232 700	INNENRING / INNER RACE / BOCCOLA.....	1
3	232 650	NADELKAEFIG K 25X29X10 NEEDLE BEARING 25X29X10 GABBIA A RULLI 25X29X10.....	2
4	292 975	PRIMAERTRIEB KPL. / PRIMARY DRIVE ASSY. TRASMISSIONE PRIMARIA CPL..... NUR ANTRIEBSRAD MIT KUPPLUNGSKORB GEMEINSAM AUS- TAUSCHEN REPLACE ONLY DRIVE GEAR WITH CLUTCH DRUM ASSY. CAMBIARE SOLO L'INGRANAGGIO E LA CAMPANA FRIZIONE INSIEME	1
5	259 570	STUETZTELLER / INNER PLATE PIATTO PORTAMOLLE.....	1
6	259 055	BELAGLAMELLE 3,0 MM FRICTION PLATE 3,0 MM DISCO FRIZIONE GUARNITO 3,0 MM.....	6
7	259 557	INNENLAMELLE / CLUTCH PLATE 1 MM DISCO FRIZIONE 1 MM.....	5
8	259 060	MITNEHMER / CLUTCH HUB / MOZZO FRIZIONE..	1
9	245 320	SICHERUNGSBLECH NA20 / TAB WASHER NA20 RONDELLA SICUREZZA NA20.....	1
10	242 605	SK-MUTTER M18X1,5 / HEX. NUT M18X1,5 DADO M18X1,5..... ANZUGSDREHMOMENT 80 NM TIGHTENING TORQUE 80 NM COPPIA DI SERRAGGIO 80 NM	1
11	239 620	KUPPL.FEDER DM14,3 D2,1 L36,7 CLUTCH SPRING 36,7 MM MOLLA FRIZIONE 36,7 MM..... FEDERN NUR SATZWEISE WECHSELN CHANGE SPRINGS ONLY SETWISE CAMBIARE SOLO TUTTA LA SERIE	6

BILD-NR. ILL. NO. FIG.	TEILE-NR. PART NO. CODICE	B E Z E I C H N U N G D E S C R I P T I O N D E S C R I Z I O N E	STUECK QTY. QTA.
12 - 13	259 597	DRUCKPLATTE KPL. / RETAINING PLATE ASSY., PIATTO DI SPINTA CPL.,.....	1
12	259 594	DRUCKPLATTE / RETAINING PLATE PIATTO DI SPINTA.....	1
13	232 180	DRUCKLAGER 8X20X8,5 THRUST BEARING 8X20X8,5 CUSCINETTO 8X20X8,5.....	1
14	945 750	FEDERRING A5 DIN 128 / LOCK WASHER A5 RONDELLA SPACCATA A5.....	6
15	241 770	SK-SCHRAUBE M5X25 DIN 933 HEX.SCREW M5X25 / VITE ESAGONALE M5X25...	6
16	235 205	ZWISCHENRAD KPL. / IDLER GEAR ASSY. 31 T. INGRANAGGIO INTERMEDIO CPL. 31 D.....	1
17	237 428	STARTERWELLE / KICK START SHAFT ALBERO M/M.....	1
18	944 468	ANLAUFSSCHEIBE 20,5/30/1 THRUST WASHER 20,5/30/1 RASAMENTO 20,5/30/1..... FUER AUSFUEHRUNG 'A' FOR CONFIGURATION 'A' PER ESECUZIONE 'A'	3
18	944 468	ANLAUFSSCHEIBE 20,5/30/1 THRUST WASHER 20,5/30/1 RASAMENTO 20,5/30/1..... FUER AUSFUEHRUNG 'B' FOR CONFIGURATION 'B' PER ESECUZIONE 'B'	2
18	227 440	ANLAUFSSCHEIBE 20,2/27,5/1 THRUST WASHER 20,2/27,5/1 RASAMENTO 20,2/27,5/1..... FUER AUSFUEHRUNG 'B' FOR CONFIGURATION 'B' PER ESECUZIONE 'B'	1
19	945 660	SICHERUNGSRING 20X1,2 DIN 471 SNAP RING 20X1,2 / SEEGER 20X1,2.....	1
20	239 761	KICKSTARTERFEDER / KICK START SPRING MOLLA.....	1
21	228 185	SPERRAD / RATCHET GEAR / INNESTO.....	1
22	227 480	ANLAUFSSCHEIBE 20,2/25,5/1 THRUST WASHER 20,2/25,5/1 RASAMENTO 20,2/25,5/1.....	1



BILD-NR. ILL. NO. FIG.	TEILE-NR. PART NO. CODICE	B E Z E I C H N U N G D E S C R I P T I O N D E S C R I Z I O N E	STUECK QTY. QTA.
23	234 245	STARTERRAD KPL. STARTER GEAR ASSY. 31 T. INGRANAGGIO CPL. 31 D..... AUSFUEHRUNG F. DREHZAehler EXECUTION FOR REVOLUTION COUNTER ESECUZIONE PER CONTAGIRI	1
24	234 232	SCHRAUBENRAD 19 Z / HELICAL GEAR 19 T. INGRANAGGIO CONTAGIRI 19 D.....	1
25 - 30	248 159	KICKSTARTERHEBEL KPL. KICK START LEVER ASSY., LEVA MESSA IN MOTO CPL.,.....	1
25	248 148	KICKSTARTERHEBEL VERSCHLOSSEN KICK START LEVER PARTE SUPERIORE MESSA IN MOTO.....	1
26	248 197	KICKSTARTERNABE / KICK START HUB PARTE INFERIORE MESSA IN MOTO.....	1
27	239 537	DRUCKFEDER DM4,1 D1,25 L8 COMPRESSION SPRING 8 MM / MOLLA 8 MM.....	1
28	232 440	KUGEL 7/32 III DIN 5401 / BALL 7/32 SFERA 7/32.....	1
29	229 260	SPANNHUELSE 5X24 DIN 1481 DOWEL TUBE 5X24 / PERNO TENDITORE 5X24....	1
30	260 730	ANSCHLAGSCHLAUCH / RUBBER SLEEVE GOMMINO.....	1
31	840 991	ZYL.SCHRAUBE M8X30 DIN 912 ALLEN SCREW M8X30 / BRUGOLA M8X30.....	1
32	297 431	LOCTITE ANTI-SEIZE 76710 LOCTITE ANTI-SEIZE 10 G. LOCTITE ANTI-SEIZE 10 G..... ZUR VERHINDERUNG VON PASSUNGSROST, 10 G. TO PREVENT METAL GALLING PER EVITARE CORROSIONE	N BED AS REQ A RICH
33	899 785	SCHRAUBENSICHERUNG NIEDRIGFEST LOCTITE 221 VIOLET 10 CC., LOCTITE 221 VIOLETTO, 10 CC.FLAC..... LOCTITE 221, 10 CCM	N BED AS REQ A RICH

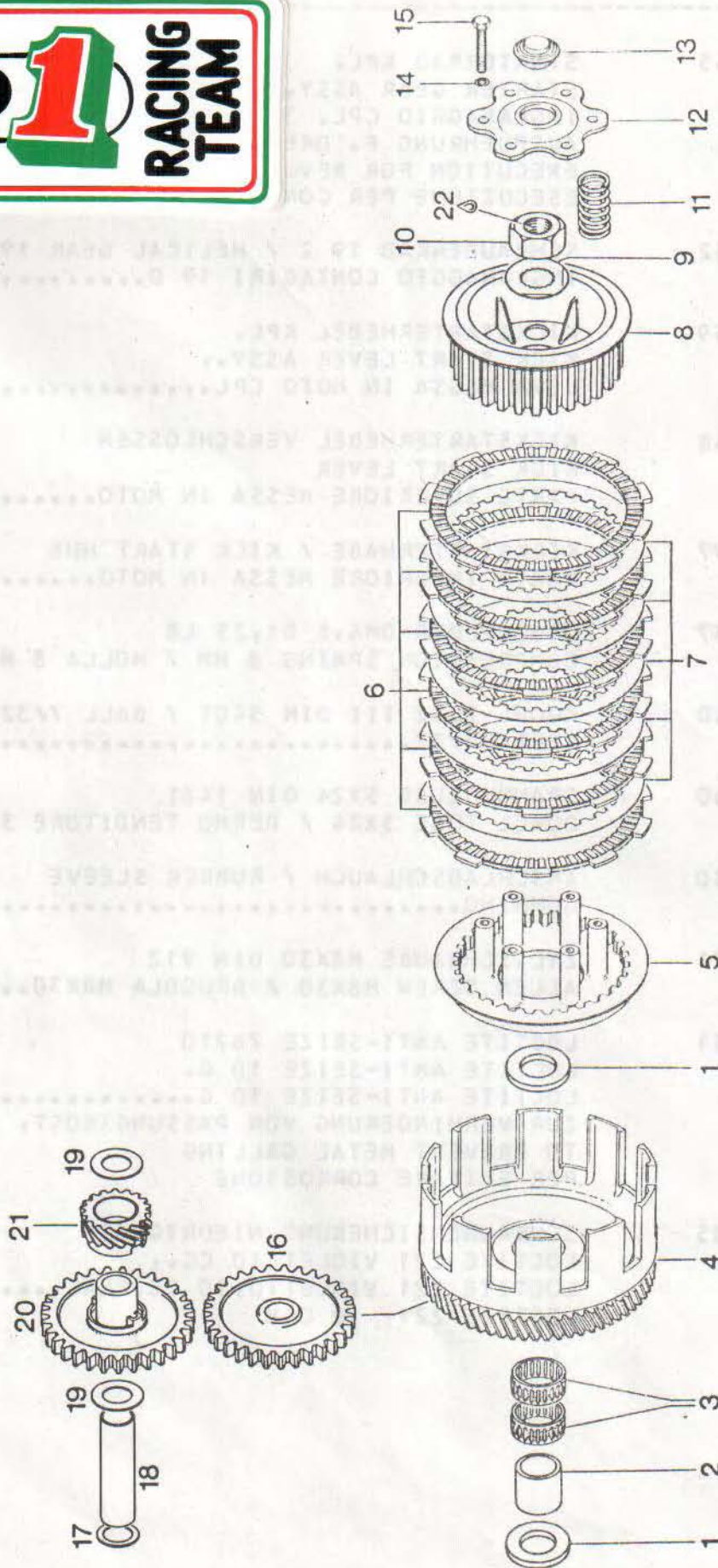
internet <http://www.CR1.it>  
E-Mail: [cr1firenze@iscali.it](mailto:cr1firenze@iscali.it)



**CENTRO RICAMBI** SRL

VIA CIMABUE, 24/A  
50121 FIRENZE (ITALY)  
TEL. 055 66 64 23  
FAX 055 67 00 84  
P.IVA 01548680485

CONCESSIONARIA MOTO E RICAMBI



KUPPLUNG, DREHZAEHLERANTRIEB  
 FUER AUSFUEHRUNG E-STARTER  
 CLUTCH, REVOLUTION COUNTER DRIVE  
 FOR ELEECRIC STARTER CONFIGURATION  
 FRIZIONE, COMANDO CONTAGIRI  
 PER ESECUZIONE AVVIAMENTO ELETTRICO

---

BILD-NR. ILL. NO. FIG.	TEILE-NR. PART NO. CODICE	B E Z E I C H N U N G D E S C R I P T I O N D E S C R I Z I O N E	STUECK QTY. QTA.
1	227 600	ANLAUFSCHIEBE 20,2/35/3 THRUST WASHER 20,2/35/3 RASAMENTO 20,2/35/3.....	2
2	232 700	INNENRING / INNER RACE / BOCCOLA.....	1
3	232 650	NADELKAEFIG K 25X29X10 NEEDLE BEARING 25X29X10 GABBIA A RULLI 25X29X10.....	2
4	292 975	PRIMAERTRIEB KPL. / PRIMARY DRIVE ASSY. TRASMISSIONE PRIMARIA CPL..... NUR ANTRIEBSRAD MIT KUPPLUNGSKORB GEMEINSAM AUS- TAUSCHEN REPLACE ONLY DRIVE GEAR WITH CLUTCH DRUM ASSY. CAMBIARE SOLO L'INGRANAGGIO E LA CAMPANA FRIZIONE INSIEME	1
5	259 570	STUETZTELLER / INNER PLATE PIATTO PORTAMOLLE.....	1
6	259 055	BELAGLAMELLE 3,0 MM FRICTION PLATE 3,0 MM DISCO FRIZIONE GUARNITO 3,0 MM.....	6
7	259 557	INNENLAMELLE / CLUTCH PLATE 1 MM DISCO FRIZIONE 1 MM.....	5
8	259 060	MITNEHMER / CLUTCH HUB / MOZZO FRIZIONE..	1
9	245 320	SICHERUNGSBLECH NA20 / TAB WASHER NA20 RONDELLA SICUREZZA NA20.....	1
10	242 605	SK-MUTTER M18X1,5 / HEX. NUT M18X1,5 DADO M18X1,5..... ANZUGSDREHMOMENT 80 NM TIGHTENING TORQUE 80 NM COPPIA DI SERRAGGIO 80 NM	1
11	239 620	KUPPL.FEDER DM14,3 D2,1 L36,7 CLUTCH SPRING 36,7 MM MOLLA FRIZIONE 36,7 MM..... FEDERN NUR SATZWEISE WECHSELN CHANGE SPRINGS ONLY SETWISE CAMBIARE SOLO TUTTA LA SERIE	6

BILD-NR. ILL. NO. FIG.	TEILE-NR. PART NO. CODICE	B E Z E I C H N U N G D E S C R I P T I O N D E S C R I Z I O N E	STUECK QTY. QTA.
12 - 13	259 597	DRUCKPLATTE KPL. / RETAINING PLATE ASSY., PIATTO DI SPINTA CPL.....	1
12	N 259 594	DRUCKPLATTE / RETAINING PLATE PIATTO DI SPINTA.....	1
13	232 180	DRUCKLAGER 8X20X8,5 THRUST BEARING 8X20X8,5 CUSCINETTO 8X20X8,5.....	1
14	945 750	FEDERRING A5 DIN 128 / LOCK WASHER A5 RONDELLA SPACCATA A5.....	6
15	241 770	SK-SCHRAUBE M5X25 DIN 933 HEX.SCREW M5X25 / VITE ESAGONALE M5X25...	6
16	N 234 470	DREHZAehlerZWISCHENRAD 31 Z IDLER GEAR 31 T. INGRANAGGIO INTERMEDIO 31 D.....	1
17	N 944 583	AUSGLEICHSCHIEBE 30,4/40,5/0,1 SHIM 30,4/40,5/0,1 SPESSORE 30,4/40,5/0,1.....	1
18	N 247 710	DISTANZROHR 14/16/61 / SPACER 14/16/61 DISTANZIALE 14/16/61.....	1
19	N 227 400	ANLAUFSCHIEBE 14,2/25/1 THRUST WASHER 14,2/25/1 RASAMENTO 14,2/25/1.....	2
20	N 234 480	DREHZAehlerANTRIEBSRAD 31 Z DRIVE GEAR 31 T. / INGRANAGGIO 31 D.....	1
21	N 234 232	SCHRAUBENRAD 19 Z / HELICAL GEAR 19 T. INGRANAGGIO CONTAGIRI 19 D.....	1
22	899 785	SCHRAUBENSICHERUNG NIEDRIGFEST LOCTITE 221 VIOLET 10 CC., LOCTITE 221 VIOLETTO, 10 CC.FLAC..... LOCTITE 221, 10 CCM LOW STRENGTH BOND PASTA FISSAGGIO VITI, DEBOLE	N BED AS REQ A RICH

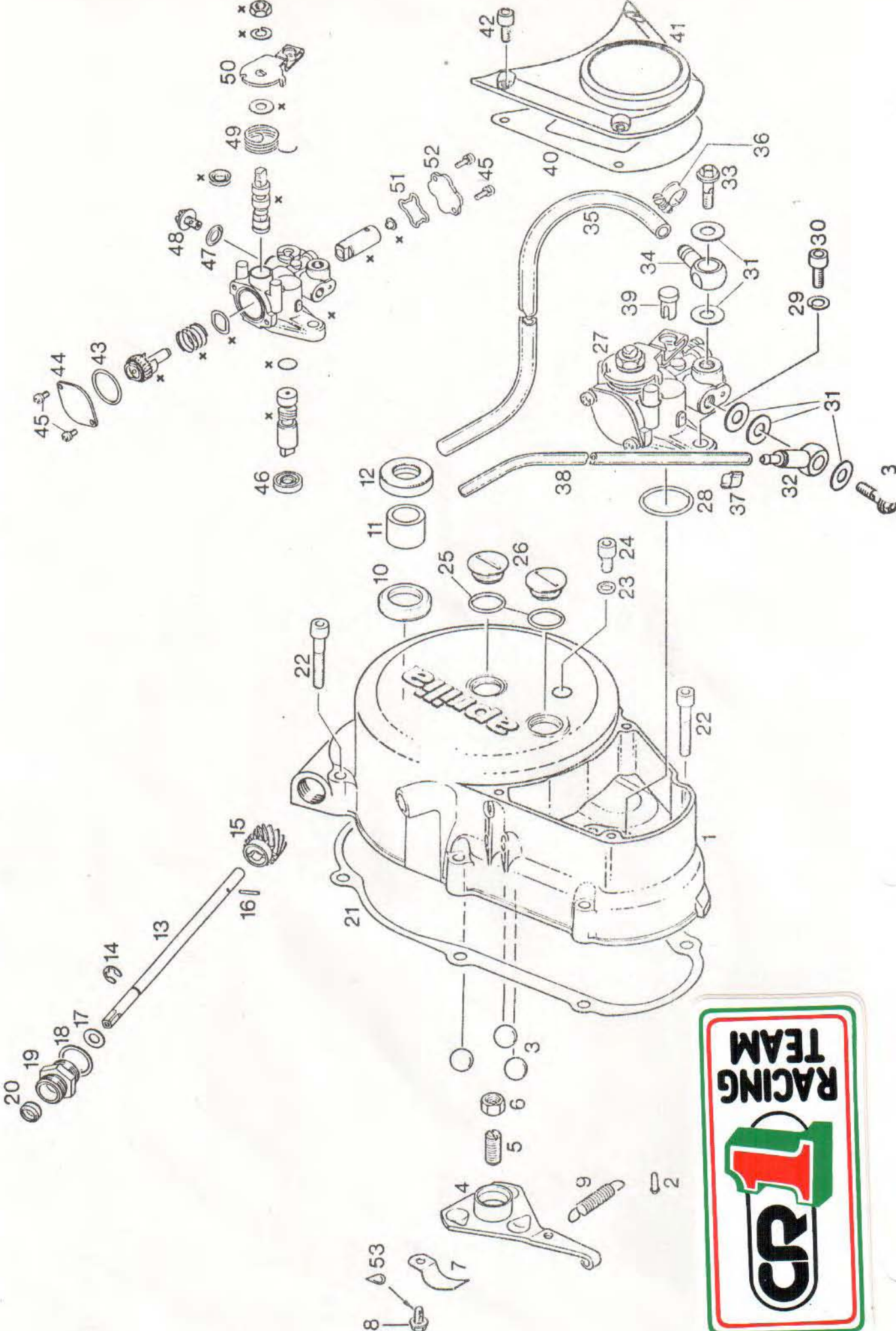
internet <http://www.CR1.it>  
E-Mail: [cr1firenze@fiscali.it](mailto:cr1firenze@fiscali.it)



**CENTRO RICAMBI** SRL

VIA CIMABUE, 24/A  
50121 FIRENZE (ITALY)  
TEL. 055 66 64 23  
FAX 055 67 00 84  
P.IVA 01548680485

CONCESSIONARIA MOTO E RICAMBI



KUPPLUNGSDECKEL, MECH. DREHZAehler, OELPUMPE  
 CLUTCH COVER, MECH. REVOLUTION COUNTER, OIL PUMP  
 COPERCHIO FRIZIONE, CONTAGIRI MECC., POMPA OLIO

BILD-NR. ILL. NO. FIG.	TEILE-NR. PART NO. CODICE	B E Z E I C H N U N G D E S C R I P T I O N D E S C R I Z I O N E	STUECK QTY. QTA.
1 - 2	210 046	KUPPLUNGSDECKEL KPL. CLUTCH COVER ASSY., COPERCHIO FRIZIONE CPL.,.....	1
2	949 030	HR-KERBNAGEL 3X8 DIN 1476 / DRIVE PIN 3X8 SPINA 3X8.....	1
3	232 150	KUGEL 12 III DIN 5401 / BALL 12 MM SFERA 12 MM.....	3
4	259 945	AUSRUECKTELLER KPL. / RELEASE CAM ASSY., CHIOCCIOLA FRIZIONE CPL.,.....	1
5	241 791	GEWINDESTIFT M8X16 ADJUSTMENT SCREW M8X16 / VITE M8X16.....	1
6	942 670	SK-MUTTER M8 SW 11 / HEX. NUT M8 DADO M8.....	1
7	239 901	BLATTFEDER / FLAT SPRING / MOLLA.....	1
8	841 680	TAPTITE-SCHRAUBE M5X8 TAPTITE SCREW M5X8 / VITE TAPTITE M5X8... ANZUGSDREHMOMENT 5 NM TIGHTENING TORQUE 5 NM COPPIA DI SERRAGGIO 5 NM	1
9	239 635	ZUGFEDER / SPRING / MOLLA.....	1
10	230 355	WD-RING BS 20X28X6 / OIL SEAL 20X28X6 CORTECO 20X28X6..... FUER AUSFUEHRUNG KICKSTARTER FOR KICK START CONFIGURATION PER ESECUZIONE ALBERO M/M	1
11	N 233 570	LAGERBUECHSE 13,8/20/15,5 BUSHING 13,8/20/15,5 BUSSOLA 13,8/20/15,5..... FUER AUSFUEHRUNG E-STARTER FOR ELECTRIC STARTER CONFIGURATION PER ESECUZIONE AVVIAMENTO ELETTRICO	1
12	N 250 940	WD-RING AS 14X28X7 / OIL SEAL 14X28X7 CORTECO 14/28/7..... FUER AUSFUEHRUNG E-STARTER FOR ELECTRIC STARTER CONFIGURATION PER ESECUZIONE AVVIAMENTO ELETTRICO	1

BILD-NR. ILL. NO. FIG.	TEILE-NR. PART NO. CODICE	B E Z E I C H N U N G D E S C R I P T I O N D E S C R I Z I O N E	STUECK QTY. QTA.
13	237 845	ANTRIEBSWELLE / DRIVE SHAFT ALBERINO CONTAGIRI.....	1
14	945 710	SICHERUNGSSCHEIBE 5 DIN 6799 / CIRCLIP 5 RONDELLA 5.....	1
15	234 220	SCHRAUBENRAD 14 Z / GEAR 14 T. INGRANAGGIO 14 D.....	1
16	932 740	NADELROLLE 2X11,8 G2 DIN 5402 NEEDLE PIN 2X11,8 / GRANO 2X11,8.....	1
17	927 945	SCHEIBE 6,2/12/1 / WASHER 6,2/12/1 RONDELLA 6,2/12/1.....	1
18	230 905	DICHTRING A16X20 DIN 7603 GASKET RING 16X20 / RONDELLA 16X20.....	1
19	241 070	HOHLSCHRAUBE / BANJO BOLT / RACCORDO.....	1
20	930 500	WD-RING AOF 6X11X3/4,5 OIL SEAL 6X11X3/4,5 / CORTECO 6X11X3/4,5.	1
21	250 170	DICHTUNG / GASKET / GUARNIZIONE.....	1
22	241 811	ZYL.SCHRAUBE M6X35 DIN 912 ALLEN SCREW M6X35 / BRUGOLA M6X35.....	8
23	830 890	DICHTRING 6,2/8,9/1 GASKET RING 6,2/8,9/1 ANELLO GUARNIZIONE 6,2/8,9/1.....	1
24	840 371	ZYL.SCHRAUBE M6X11,5 SLOTTED HEAD SCREW M6X11,5 VITE TONDA M6X11,5.....	1
25	230 400	O-RING 18-1,5 NBR 70-80 SH O-RING 18-1,5 / ANELLO OR 18-1,5.....	2
26	241 800	VERSCHLUSSSCHRAUBE M18X1,5 PLUG SCREW M18X1,5 TAPPO PLASTICO M18X1,5.....	2
27	293 190	OELPUMPE KPL. / OIL PUMP ASSY., POMPA OLIO CPL.,.....	1
28	230 370	O-RING 19-1,25 NBR 70-80 SH O-RING 19-1,25 / ANELLO OR 19-1,25.....	1
29	945 750	FEDERRING A5 DIN 128 / LOCK WASHER A5 RONDELLA SPACCATA A5.....	2
30	240 150	ZYL.SCHRAUBE M5X14 DIN 6912 ALLEN SCREW M5X14 / BRUGOLA M5X14.....	2

BILD-NR. ILL. NO. FIG.	TEILE-NR. PART NO. CODICE	B E Z E I C H N U N G D E S C R I P T I O N D E S C R I Z I O N E	STUECK QTY. QTA.
31	227 500	DICHTRING 6,2/12/1 / GASKET RING 6,2/12/1 RONDELLA GUARNIZIONE 6,2/12/1.....	5
32	956 015	RUECKSCHLAGVENTIL KPL. CHECK VALVE ASSY., VALVOLA A RIMBALZO CPL.,.....	1
33	241 830	HOHLSCHRAUBE M6X16 / BANJO BOLT M6X16 VITE M6X16.....	2
34	256 020	SCHLAUCHNIPPEL 5 MM / BANJO 5 MM RACCORDO MM 5.....	1
35	256 037	DELLEITUNG 850 MM / OIL LINE 850 MM TUBO 850 MM.....	1
36	951 591	KLEMMSCHELLE 7 / CLAMP 7 / FASCETTA 7....	1
37	853 840	2-OHR-KLEMME 3-5 MM / CLAMP 3-5 MM FASCETTA MM 3-5.....	2
38	960 563	DELLEITUNG 270 MM / OIL LINE 270 MM TUBO 270 MM.....	1
39	297 340	NIPPEL / NIPPLE / BOCCILO.....	1
40	250 030	DICHTUNG / GASKET / GUARNIZIONE.....	1
41	210 050	DELPUMPENDECKEL / OIL PUMP COVER COPERCHIO POMPA OLIO.....	1
42	241 841	ZYL.SCHRAUBE M5X12 DIN 6912 ALLEN SCREW M5X12 / BRUGOLA M5X12.....	3
43	850 220	O-RING 18-1,3 NBR 70-80 SH O-RING 18-1,3 / ANELLO OR 18-1,3.....	1
44	256 260	NOCKENDECKEL KPL. / PLATE ASSY. COPERCHIO CPL.....	1
45	241 970	SCHRAUBENSATZ / COMBINED SCREW VITE COMB.....	4
46	850 230	WD-RING AS 9,5X16X4 / OIL SEAL 9,5X16X4 CORTECO 9,5X16X4.....	1
47	250 070	DICHTRING 6,1/12/1,3 GASKET RING 6,1/12/1,3 ANELLO GUARNIZIONE 6,1/12/1,3.....	1
48	241 100	ENTLUEFTUNGSSCHRAUBE M6X8 AIR VENT SCREW M6X8 / VITE SFIATO M6X8...	1
49	239 675	SPIRALFEDER / RETURN SPRING / MOLLA.....	1



BILD-NR.	TEILE-NR.	B E Z E I C H N U N G	STUECK
ILL. NO.	PART NO.	D E S C R I P T I O N	QTY.
FIG.	CODICE	D E S C R I Z I O N E	QTA.

50	248 200	REGULIERHEBEL / CONTROL-LEVER LEVA POMPA.....	1
51	230 477	PROFIL-O-RING / O-RING / ANELLO OR.....	1
52	256 270	PUMPENDECKEL / PUMP COVER COPERCHIO POMPA.....	1
53	899 785	SCHRAUBENSICHERUNG NIEDRIGFEST LOCTITE 221 VIOLET 10 CC., LOCTITE 221 VIOLETTO, 10 CC.FLAC..... LOCTITE 221, 10 CCM LOW STRENGTH BOND PASTA FISSAGGIO VITI, DEBOLE	N BED AS REQ A RICH

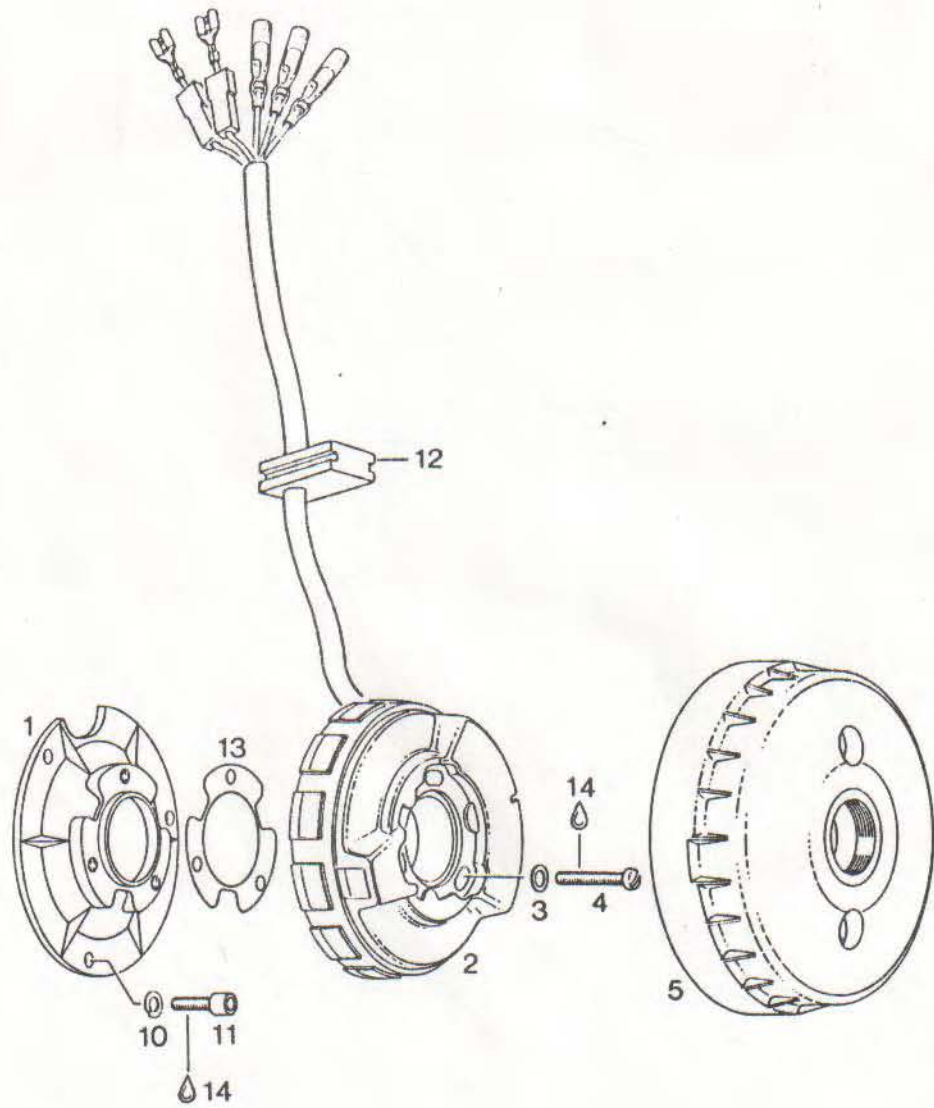
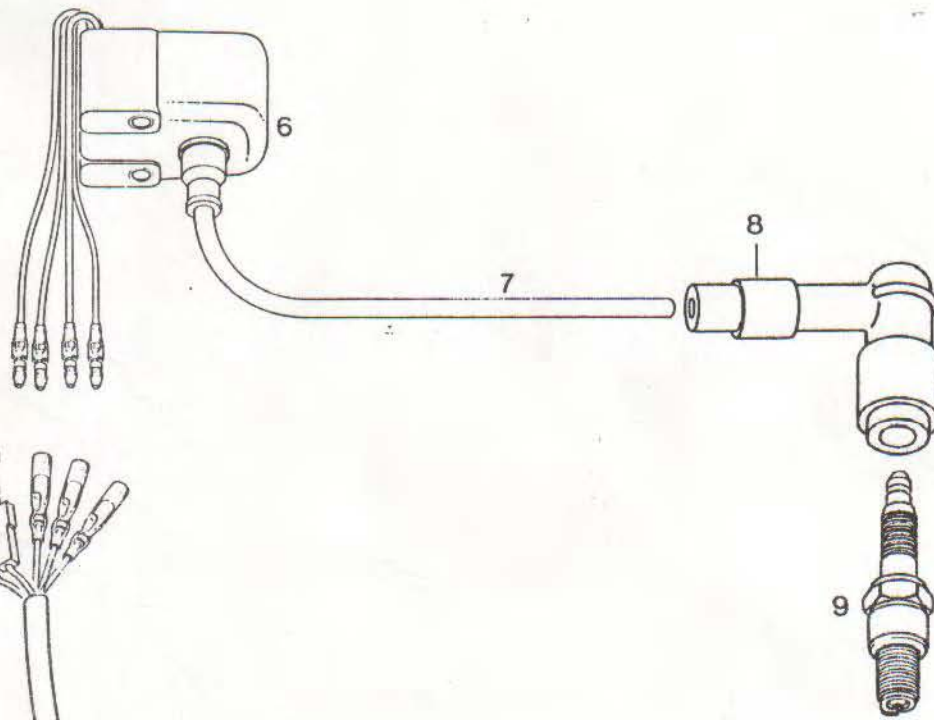


**CENTRO RICAMBI** SRL

VIA CIMABUE, 24/A  
50121 FIRENZE (ITALY)  
TEL. 055 66 64 23  
FAX 055 67 00 84  
P. IVA 01548680485

CONCESIONARIA MOTO E RICAMBI

internet <http://www.CR1.it>  
E-Mail: [cr1firenze@fiscali.it](mailto:cr1firenze@fiscali.it)



MAGNETZUENDER-GENERATOR S E M  
 MAGNETO GENERATOR S E M  
 VOLANO S E M

BILD-NR. ILL. NO. FIG.	TEILE-NR. PART NO. CODICE	B E Z E I C H N U N G D E S C R I P T I O N D E S C R I Z I O N E	STUECK QTY. QTA.
1 - 8	293 236	MZ-GENERATOR K10/60EG IGNITION UNIT K10/60EG / VOLANO K10/60EG.	1
1	265 960	ANKERPLATTE / STATOR PLATE PIATTO VOLANO.....	1
1	N 265 962	ANKERPLATTE / STATOR PLATE PIATTO VOLANO..... 0,8 MM KUERZER, FUER AXIALEN AUSGLEICH 0,8 MM SHORTER, FOR AXIAL ADJUSTMENT 0,8 MM PIU CORTO, PER AGGIUSTAMENTO ASSIALE	1
2	293 370	STATOR KPL. / STATOR ASSY. / STATORE CPL.	1
3	927 571	SCHEIBE 5,3 DIN 125 / WASHER 5,3 RONDELLA 5,3.....	3
4	241 591	ZYL.SCHRAUBE M5X30 DIN 84 SLOTTED HEAD SCREW M5X30 VITE TONDA M5X30..... ANZUGSDREHMOMENT 6 NM TIGHTENING TORQUE 6 NM COPPIA DI SERRAGGIO 6 NM	3
5	293 360	MAGNETRAD / FLYWHEEL PARTE ROTANTE VOLANO.....	1
6	265 980	ZUENDSPULE KPL. / IGNITION COIL ASSY. BOBINA ACCENSIONE CPL.....	1
7	964 180	ZUENDLEITUNG 200 MM IGNITION CABLE 200 MM FILO CANDELA MM 200.....	1
8	866 705	WIDERSTANDSSTECKER / SPARK PLUG PROTECTOR CAPPUCCIO CANDELA.....	1
9	N 899 477	ZUENDKERZE 14 NGK B10EG / SPARK PLUG 14 CANDELA 14.....	1
10	945 750	FEDERRING A5 DIN 128 / LOCK WASHER A5 RONDELLA SPACCATA A5.....	3
11	240 150	ZYL.SCHRAUBE M5X14 DIN 6912 ALLEN SCREW M5X14 / BRUGOLA M5X14..... ANZUGSDREHMOMENT 6 NM TIGHTENING TORQUE 6 NM COPPIA DI SERRAGGIO 6 NM	3

BILD-NR. ILL. NO. FIG.	TEILE-NR. PART NO. CODICE	B E Z E I C H N U N G D E S C R I P T I O N D E S C R I Z I O N E	STUECK QTY. QTA.
------------------------------	---------------------------------	---	------------------------

12	260 630	LEITUNGSTUELLE / CABLE GROMMET GOMMINO FILO.....	1
13	N 227 360	DISTANZSCHEIBE / DISTANCE PLATE 1 MM PIATTO DISTANZIALE 1 MM..... 1 MM, FUER AXIALEN AUSGLEICH 1 MM, FOR AXIAL ADJUSTMENT 1 MM, PER AGGIUSTAMENTO ASSIALE	1
14	899 785	SCHRAUBENSICHERUNG NIEDRIGFEST LOCTITE 221 VIOLET 10 CC., LOCTITE 221 VIOLETTO, 10 CC.FLAC..... LOCTITE 221, 10 CCM LOW STRENGTH BOND PASTA FISSAGGIO VITI, DEBOLE	N BED AS REQ A RICH

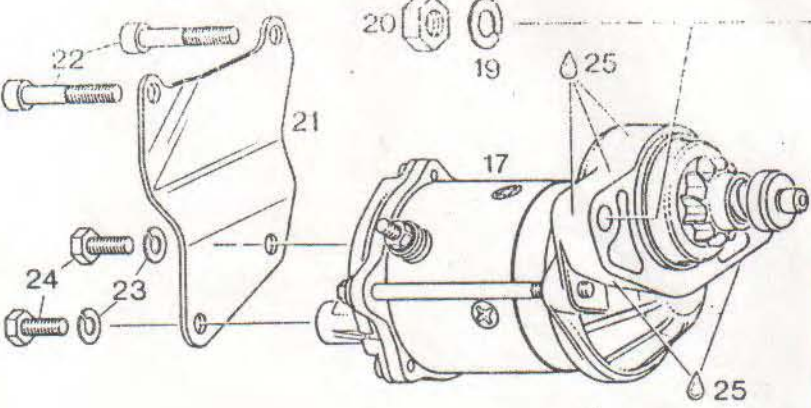
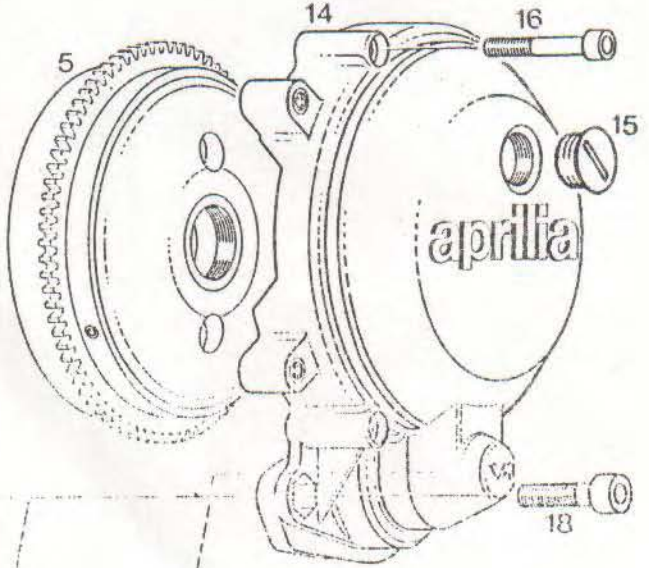
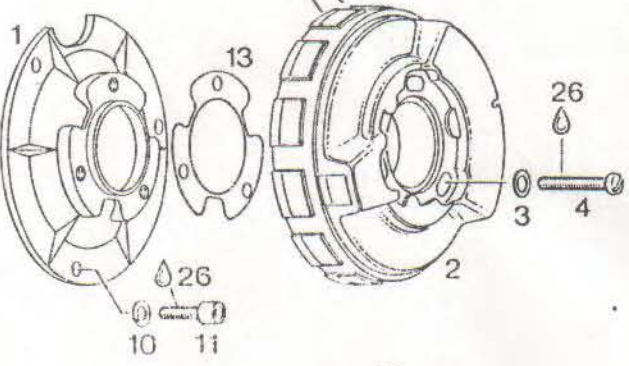
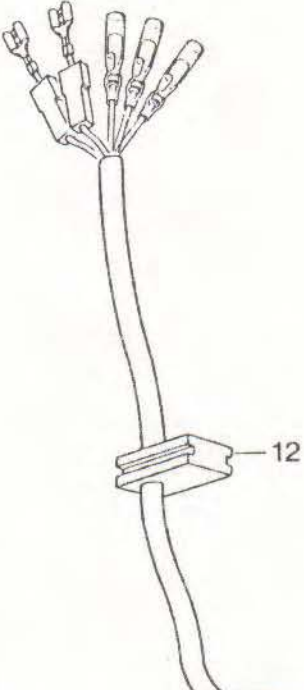
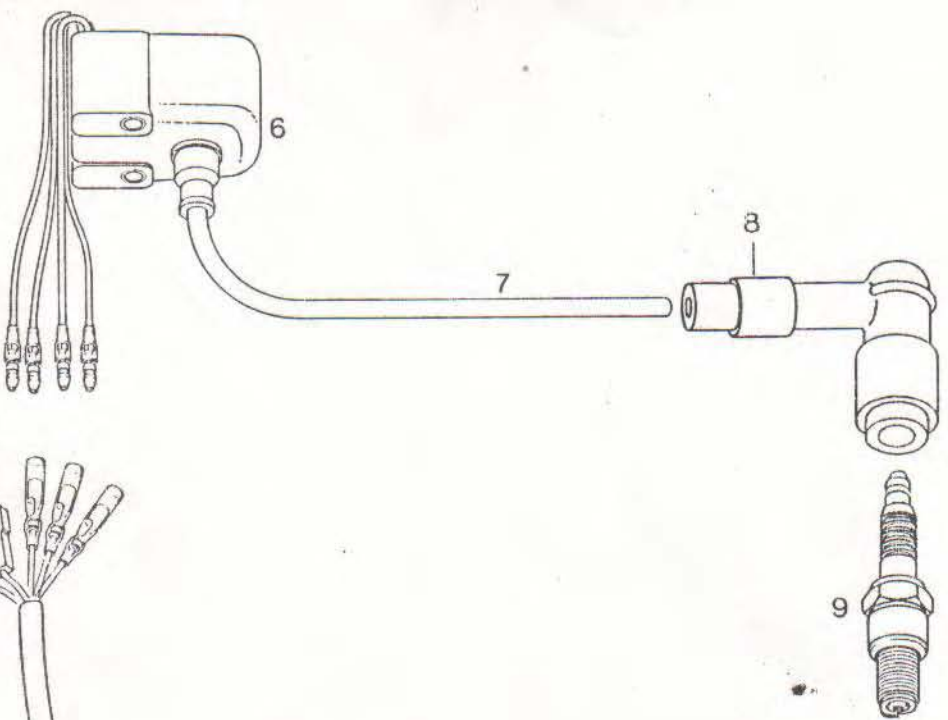
internet <http://www.CR1.it>  
E-Mail: [cr1firenze@fiscali.it](mailto:cr1firenze@fiscali.it)



**CENTRO RICAMBI** SRL

VIA CIMABUE, 24/A  
50121 FIRENZE (ITALY)  
TEL. 055 66 64 23  
FAX 055 67 00 84  
P.IVA 01548680485

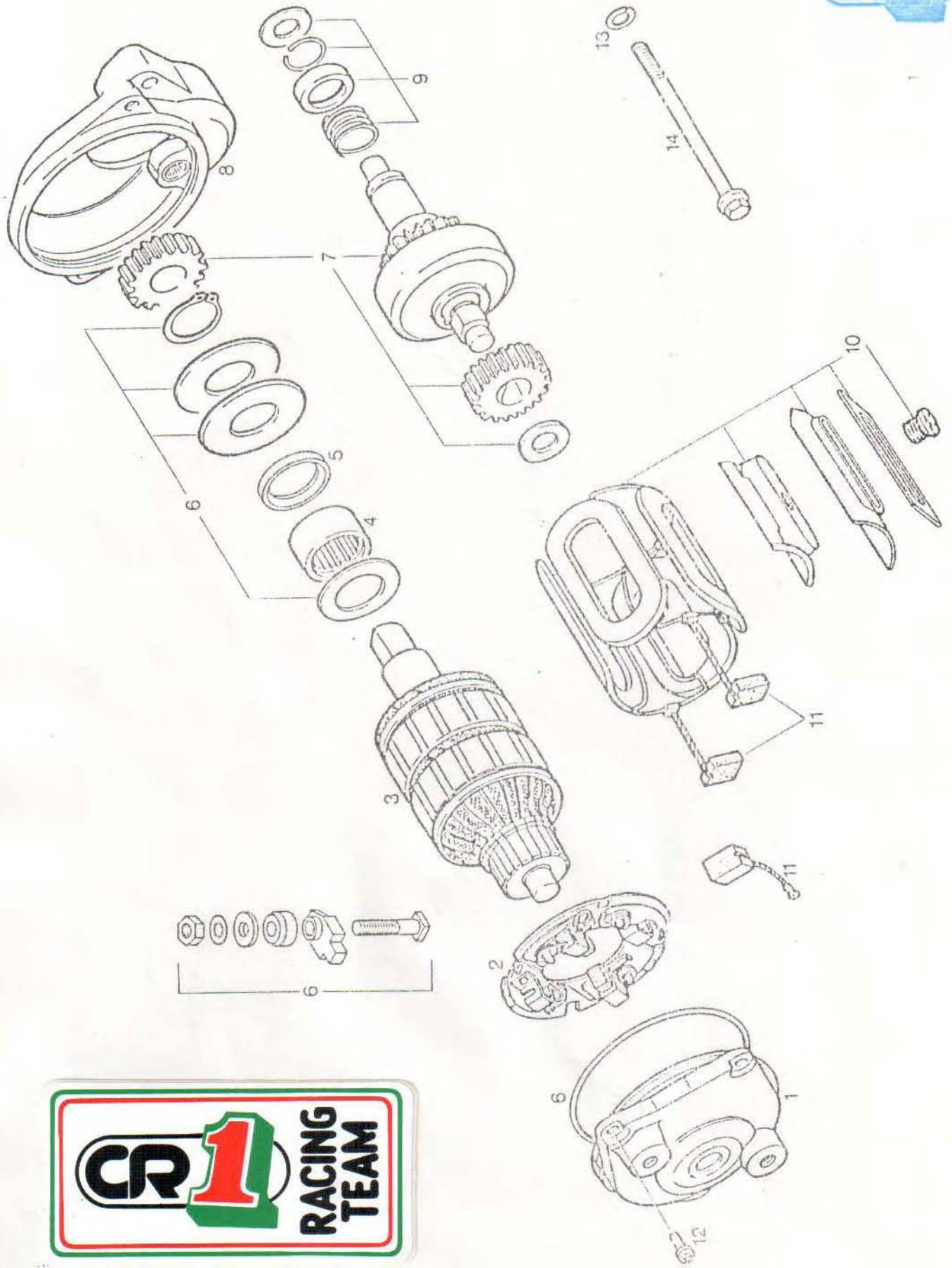
CONCESSIONARIA MOTO E RICAMBI



SEM MAGNETZUENDER-GENERATOR, ELEKTROSTARTER,  
 ZUENDERDECKEL  
 SEM MAGNETO GENERATOR, ELECTRIC STARTER, IGNITION  
 COVER  
 SEM VOLANO, MOTORINO D'AVVIAMENTO, COPERCHIO  
 VOLANO

BILD-NR. ILL. NO. FIG.	TEILE-NR. PART NO. CODICE	B E Z E I C H N U N G D E S C R I P T I O N D E S C R I Z I O N E	STUECK QTY. QTA.
1 - 8	293 237	MZ-GENERATOR K10/60EG IGNITION UNIT K10/60EG / VOLANO K10/60EG.	1
1	265 960	ANKERPLATTE / STATOR PLATE PIATTO VOLANO.....	1
1	N 265 962	ANKERPLATTE / STATOR PLATE PIATTO VOLANO..... 0,8 MM KUERZER, FUER AXIALEN AUSGLEICH 0,8 MM SHORTER, FOR AXIAL ADJUSTMENT 0,8 MM PIU CORTO, PER AGGIUSTAMENTO ASSIALE	1
2	293 371	STATOR KPL. / STATOR ASSY. / STATORE CPL.	1
3	927 571	SCHEIBE 5,3 DIN 125 / WASHER 5,3 RONDELLA 5,3.....	3
4	241 591	ZYL.SCHRAUBE M5X30 DIN 84 SLOTTED HEAD SCREW M5X30 VITE TONDA M5X30.....	3
5	293 365	MAGNETRAD KPL. / FLYWHEEL ASSY., <i>z. 61</i> PARTE ROTANTE VOLANO CPL.....	1
6	265 980	ZUENDSPULE KPL. / IGNITION COIL ASSY. BOBINA ACCENSIONE CPL.....	1
7	964 180	ZUENDLEITUNG 200 MM IGNITION CABLE 200 MM FILO CANDELA MM 200.....	1
8	866 705	WIDERSTANDSSTECKER / SPARK PLUG PROTECTOR CAPPUCCIO CANDELA.....	1
9	N 899 477	ZUENDKERZE 14 NGK B10EG / SPARK PLUG 14 CANDELA 14.....	1
10	945 750	FEDERRING A5 DIN 128 / LOCK WASHER A5 RONDELLA SPACCATA A5.....	3
11	240 150	ZYL.SCHRAUBE M5X14 DIN 6912 ALLEN SCREW M5X14 / BRUGOLA M5X14.....	3
12	260 635	LEITUNGSTUELLE / CABLE GROMMET GOMMINO FILO.....	1

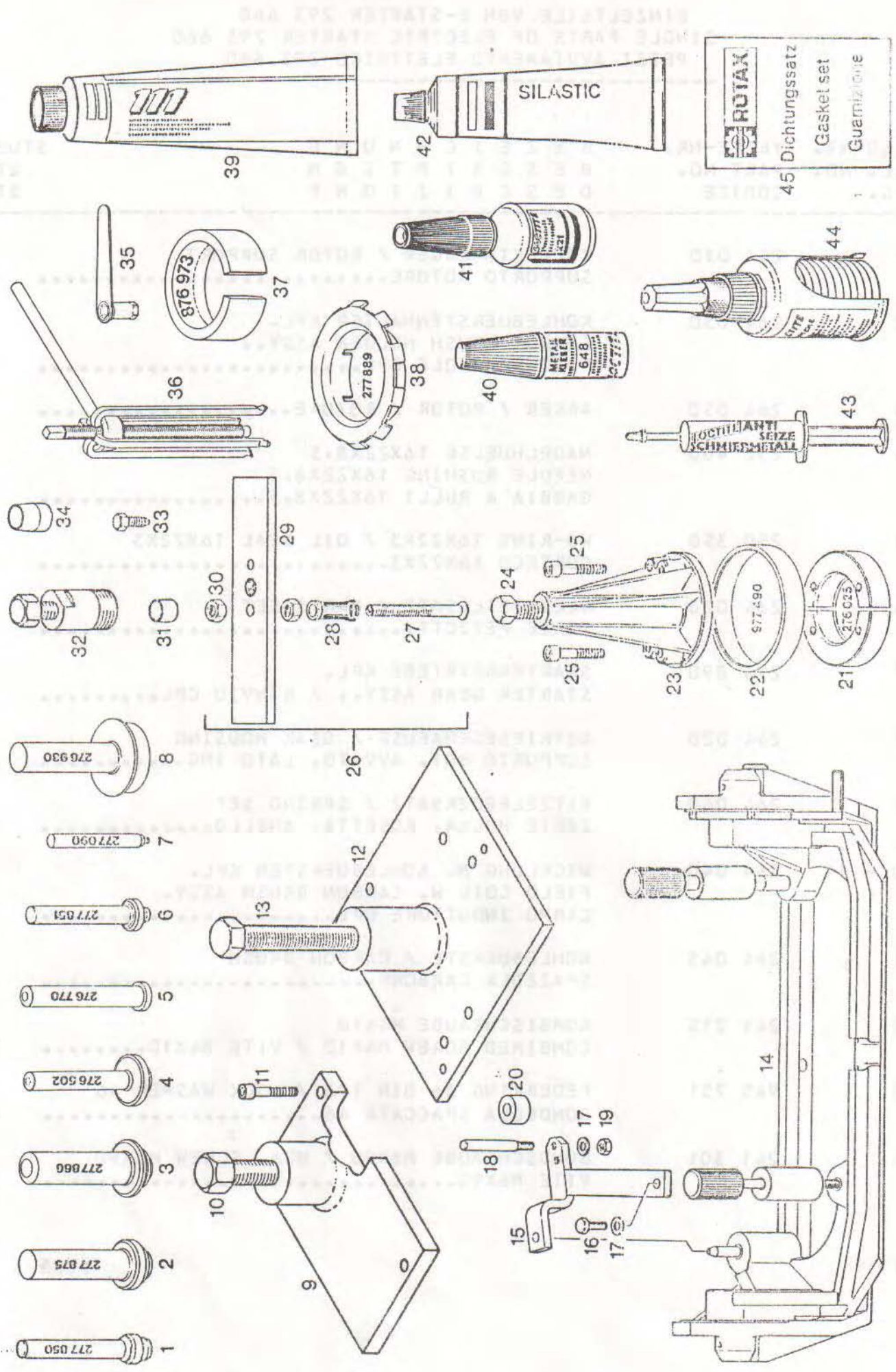
BILD-NR. ILL. NO. FIG.	TEILE-NR. PART NO. CODICE	B E Z E I C H N U N G D E S C R I P T I O N D E S C R I Z I O N E	STUECK QTY. QTA.
13	N 227 360	DISTANZSCHEIBE / DISTANCE PLATE 1 MM PIATTO DISTANZIALE 1 MM..... 1 MM, FUER AXIALEN AUSLGEICH 1 MM, FOR AXIAL ADJUSTMENT 1 MM, PER AGGIUSTAMENTO ASSIALE	1
14	210 245	ZUENDERDECKEL KPL. IGNITION COVER ASSY., COPERCHIO VOLANO CPL.....	1
15	241 800	VERSCHLUSSSCHRAUBE M18X1,5 PLUG SCREW M18X1,5 TAPPO PLASTICO M18X1,5.....	1
16	241 816	ZYL.SCHRAUBE M6X40 DIN 912 ALLEN SCREW M6X40 / BRUGOLA M6X40.....	4
17	293 660	SCHRAUBTRIEB-STARTER KPL. ELECTRIC STARTER ASSY. MOTORINO D'AVVIAMENTO CPL.....	1
18	840 991	ZYL.SCHRAUBE M8X30 DIN 912 ALLEN SCREW M8X30 / BRUGOLA M8X30.....	2
19	945 752	FEDERRING A8 DIN 128 / LOCK-WASHER A8 RONDELLA SPACCATA A8.....	2
20	242 201	SK-MUTTER M8 DIN 934 / HEX. NUT M8 DADO M8.....	2
21	251 940	STARTERABSTUETZUNG / STARTER SUPPORT SUPPORTO MOTORINO AVVIAMENTO.....	1
22	241 811	ZYL.SCHRAUBE M6X35 DIN 912 ALLEN SCREW M6X35 / BRUGOLA M6X35.....	2
23	945 751	FEDERRING A6 DIN 128 / LOCK WASHER A6 RONDELLA SPACCATA A6.....	2
24	240 911	SK-SCHRAUBE M6X14 DIN 933 HEX.SCREW M6X14 / VITE ESAGONALE M6X14...	2
25	297 386	SILASTIC 732 RTV SILASTIC 732 RTV / 100 G. SILASTIC 732 RTV / 100 G.....	N BED AS REQ A RICH
26	899 785	SCHRAUBENSICHERUNG NIEDRIGFEST LOCTITE 221 VIOLET 10 CC., LOCTITE 221 VIOLETTO, 10 CC.FLAC..... LOCTITE 221, 10 CCM LOW STRENGTH BOND PASTA FISSAGGIO VITI, DEBOLE	N BED AS REQ A RICH





EINZELTEILE VON E-STARTER 293 660  
 SINGLE PARTS OF ELECTRIC STARTER 293 660  
 PEZZI AVVIAMENTO ELETTRICO 293 660

BILD-NR. ILL. NO. FIG.	TEILE-NR. PART NO. CODICE	B E Z E I C H N U N G D E S C R I P T I O N D E S C R I Z I O N E	STUECK QTY. QTA.
1	264 010	KOLLEKTORLAGER / ROTOR SUPPORT SUPPORTO ROTORE.....	1
2	264 030	KOHLEBUERSTENHALTER KPL. CARBON BRUSH HOLDER ASSY., PORTASPAZZOLE CPL.,.....	1
3	264 050	ANKER / ROTOR / ROTORE.....	1
4	232 460	NADELHUELSE 16X22X8,5 NEEDLE BUSHING 16X22X8,5 GABBIA A RULLI 16X22X8,5.....	1
5	250 350	WD-RING 16X22X3 / OIL SEAL 16X22X3 CORTECO 16X22X3.....	1
6	264 070	KLEINTEILESATZ / PARTS SET SERIE PEZZETTI.....	1
7	293 890	STARTERGETRIEBE KPL. STARTER GEAR ASSY., / RINVIDO CPL.,.....	1
8	264 020	GETRIEBEGEHAEUSE / GEAR HOUSING SUPPORTO MQT. AVV.TO, LATO ING.....	1
9	264 060	RITZELFEDERSATZ / SPRING SET SERIE MOLLA, ROSETTA, ANELLO.....	1
10 - 11	264 040	WICKLUNG M. KOHLEBUERSTEN KPL. FIELD COIL W. CARBON BRUSH ASSY. CAMPO INDUTTORE CPL.,.....	1
11	264 045	KOHLEBUERSTE / CARBON BRUSH SPAZZOLA CARBONE.....	4
12	241 215	KOMBISCHRAUBE M4X10 COMBINED SCREW M4X10 / VITE M4X10.....	2
13	945 751	FEDERRING A6 DIN 128 / LOCK WASHER A6 RONDELLA SPACCATA A6.....	2
14	241 301	BUNDSCHRAUBE M6X90 / HEX. SCREW M6X90 VITE M6X90.....	2



**ROTAX**  
 45 Dichtungssatz  
 Gasket set  
 Guarnizione

